

# VRS Pick-Up Sweeper



*The Power of Combined Excellence*

## APPLICATIONS

- Parking lot clean-up
- Construction site clean-up
- Street, curb and gutter clean-up
- Parks and recreation areas
- Pavement milling operations
- Utility work site clean-up

## FEATURES

- 60", 72" and 84" models available
- Patented "Volumizing" feature: bucket will hold considerably more debris volume with less recirculation when compared to conventional sweepers
- High dump design holds sweeper head clear of dumping bucket
- Quick change brush without breaking hydraulic lines
- Hydraulic motor can be removed for brush change without tools
- Big 26" diameter convoluted brush for effective sweeping action

**AVAILABLE WITH  
VACUUM DUST ABATEMENT**



# VRS Pick-Up Sweeper

## FEATURES

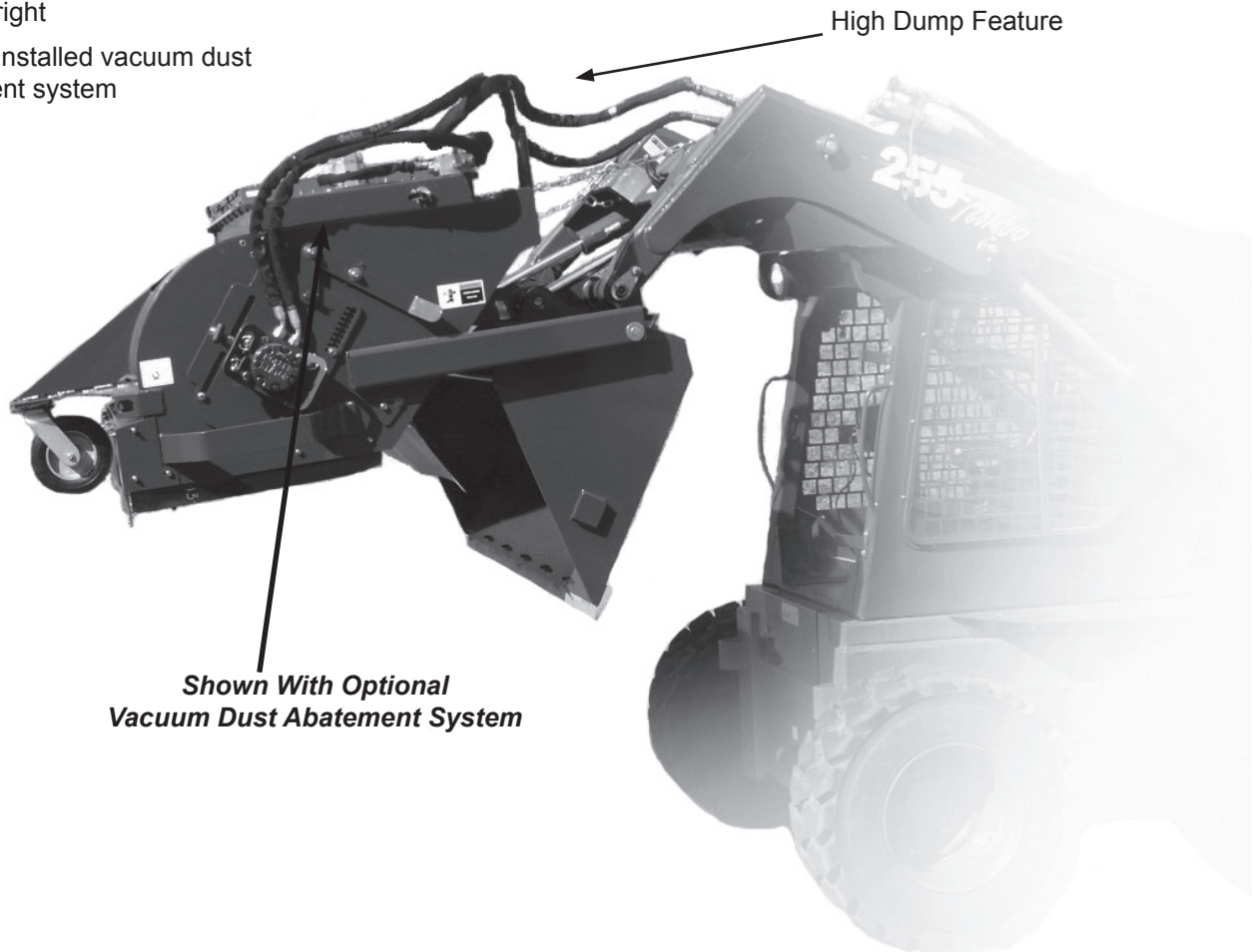
- General purpose light material bucket with bolt-on cutting edge
- No tools required for brush pattern adjustment
- Standard heavy duty front caster wheel
- No tools required for “volumizing” adjustment

## OPTIONS

- Water dust abatement kit with 25 gallon water reservoir, mainline filter and in cab control
- Single or dual gutter broom for left and right
- Factory installed vacuum dust abatement system

VRS Bucket Broom	VRS5	VRS6	VRS7
Overall Height	31.6"	31.6"	31.6"
Overall Width	76"	88"	100"
Overall Length	72.5"	72.5"	72.5"
Sweeping Width	60"	72"	84"
Center of Gravity	29.5"	29.5"	29.5"
Weight (LBS)	1,150	1,275	1,400
Flow Range (GPM)	12-25	12-25	12-25
Maximum Pressure (PSI)	3,000	3,000	3,000
Brush Diameter	26"	26"	26"
# of Motors	1	1	1

Specifications and design are subject to change without notice and without liability, therefore, whenever applicable specifications are in accordance with SAE standards.



PH: (800) 456-7100

[www.paladinbrands.com](http://www.paladinbrands.com)

**PALADIN.**  
LIGHT CONSTRUCTION

**BRADCO**

**FFC**

**HARLEY**

**MCMILLEN**

**SWEEPSTER**

The Power of Combined Excellence