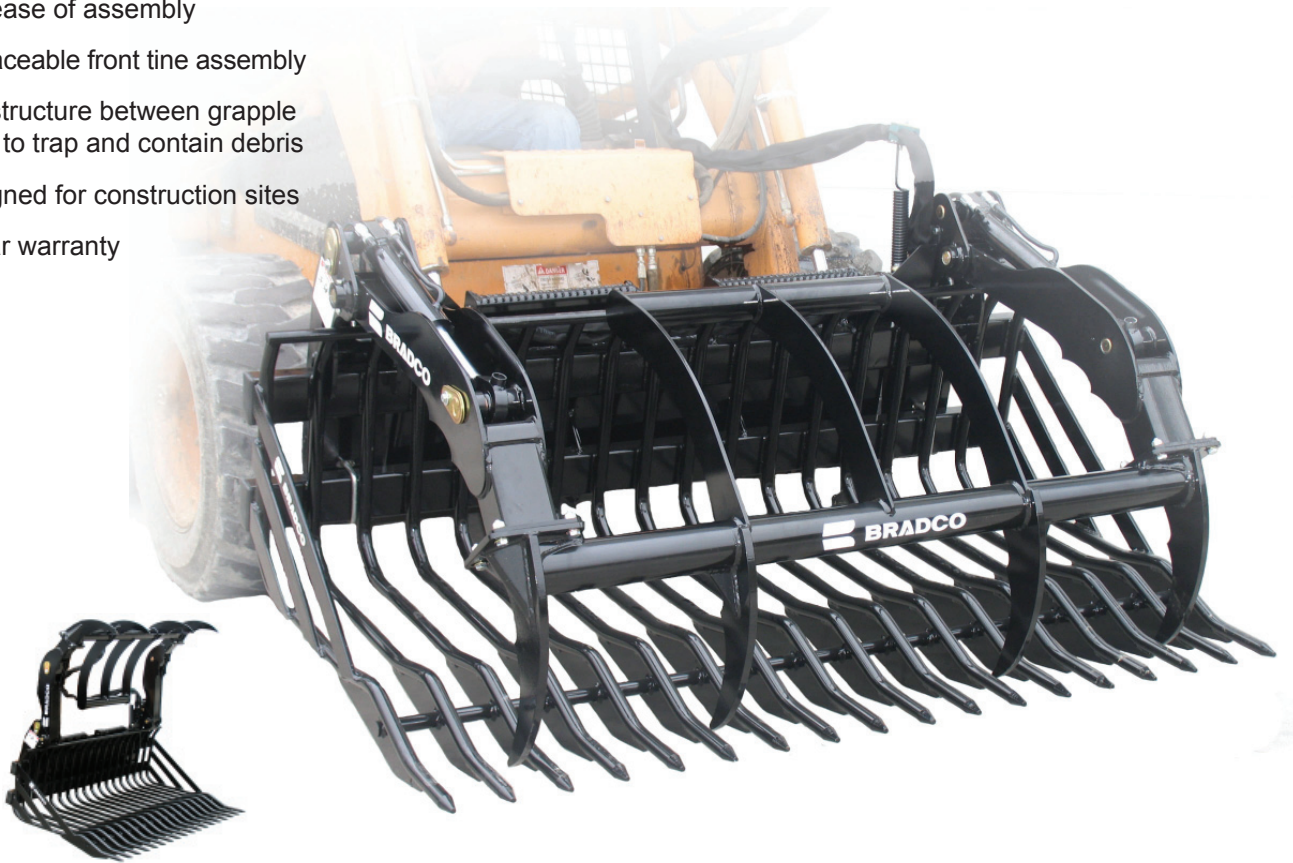


Rock Bucket with Grapple

For skid-steer loaders and tractor loaders

FEATURES

- Grapple fits 66", 75" and 84" rock buckets
- Individual hooks are welded to front tube for added strength and ease of assembly
- Replaceable front tine assembly
- Add structure between grapple arms to trap and contain debris
- Designed for construction sites
- 2 year warranty



 **BRADCO**

 **FFC**

 **HARLEY**

 **THE MAJOR**

 **McMILLEN**

 **SWEEPSTER**

PALADIN LIGHT CONSTRUCTION

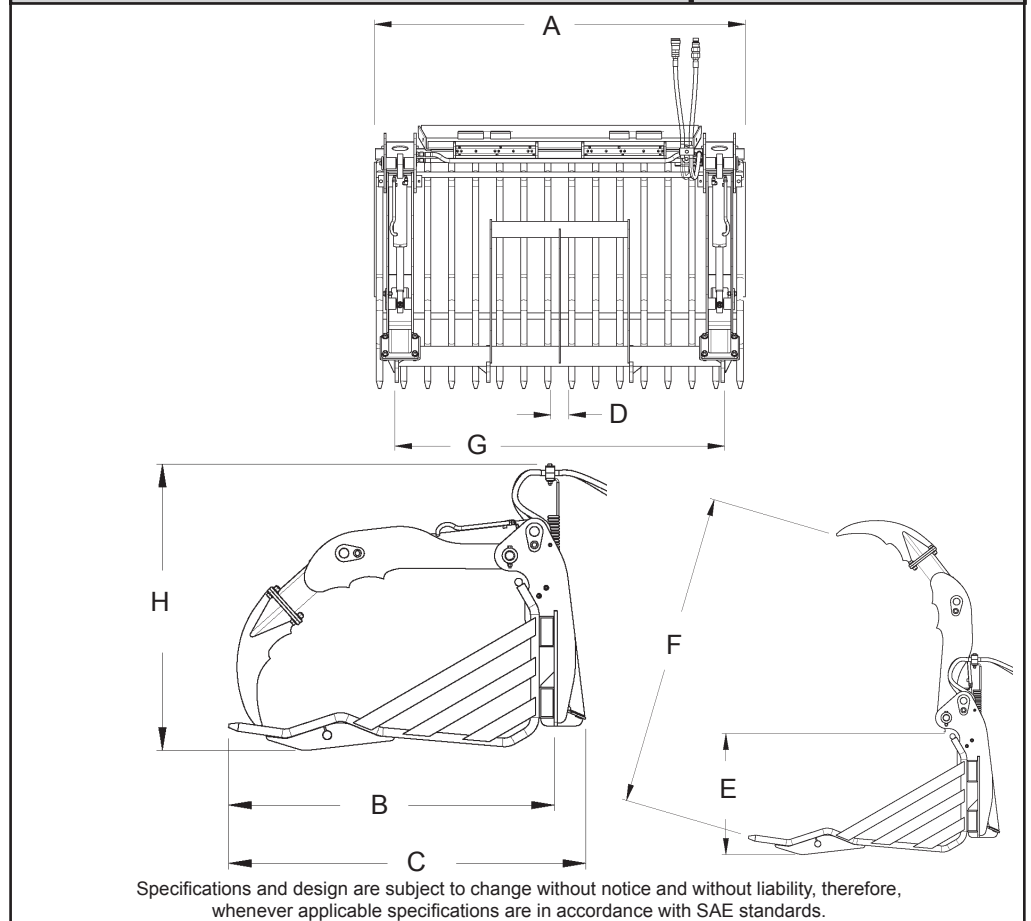


Rock Bucket with Grapple

FEATURES:

- One grapple assembly fits 66", 75", and 84" rock buckets with 2" and 3" bucket tine spacing
- Hooks are welded to front tube rather than individual bolted for added strength and ease of assembly
- Replaceable front tine assembly
- Hooks do not extend beyond front plane of bucket tines
- Grapple hooks interlock with bucket tines
- Added structure between grapple arms to trap and contain debris
- Spherical bearings, threaded cylinder glands, and sealed grease zerks for added durability
- Easy to assemble grapple mounting
- Dual cylinders
- Wide opening grapple with aggressive rake-back tine design
- Designed for construction sites
- 2 year warranty

Specifications	2" tine spacing		3" tine spacing		
	66"	75"	66"	75"	84"
A. Width (overall)	68.4"	74.7"	65.9"	74.4"	82.6"
B. Depth No Mounting (overall)	42.4"	42.5"	42.5"	42.5"	42.5"
C. Depth with Skid-Steer Mounting	49.8"	49.8"	49.8"	49.8"	49.8"
D. Spacing Between Tines	2.0"	2.0"	3.1"	3.1"	3.1"
E. Bucket Height	21.8"	21.8"	21.8"	21.8"	21.8"
F. Grapple Opening	60.0"	60.0"	60.0"	60.0"	60.0"
G. Grapple Width	60.0"	60.0"	60.0"	60.0"	60.0"
H. Shipping Width Grapple (overall)	38.0"	38.0"	38.0"	38.0"	38.0"
Tine Rod Diameter	1.1"	1.1"	1.1"	1.1"	1.1"
Weight (lbs)	670	739	550	619	670
Number of Tines	22	24	16	18	20



PH: 800-922-2981
 FX: (563) 922-2700
 P.O. Box 266
 Delhi, IA 52223-0266
 United States of America
 www.paladinbrands.com

