



Grapple Buckets

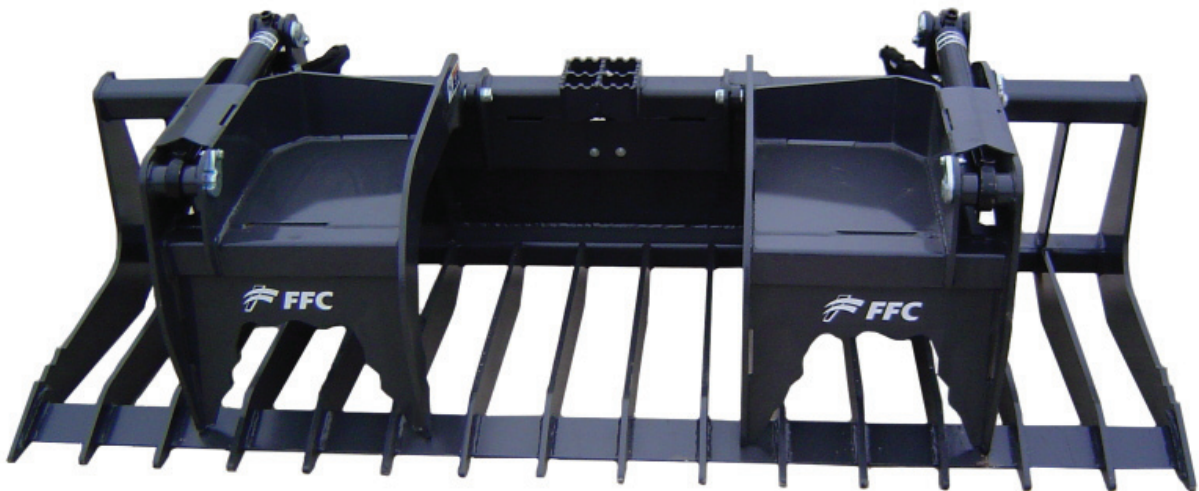
For skid-steer loaders, utility loaders, wheel loaders, & backhoe loaders

FEATURES

- Patented design withstands the demands of work in scrap handling, recycling, and other tough applications
- Includes hardened pins, cushioned cylinder kit & cylinder/hose guard
- Up to 50% increase in clamping force over previous models



PALADIN LIGHT CONSTRUCTION



Brush Grapples

UTILITY & CONSTRUCTION BRUSH GRAPPLES

FEATURES:

- 6" tine spacing
- Standard cylinder guards protect all cylinder components
- 1 1/4" cylinder pivot pins
- 1 1/4" x 24" patented grapple pins greatly reduce torsional force
- 3/8" end plates on Utility Grapple
1/2" end plates on Construction Grapple
- Patented cushioned and sleeved cylinders are 2" x 8" x 1 1/4"
- Standard load check valve
- 100,000 PSI yield strength tine material

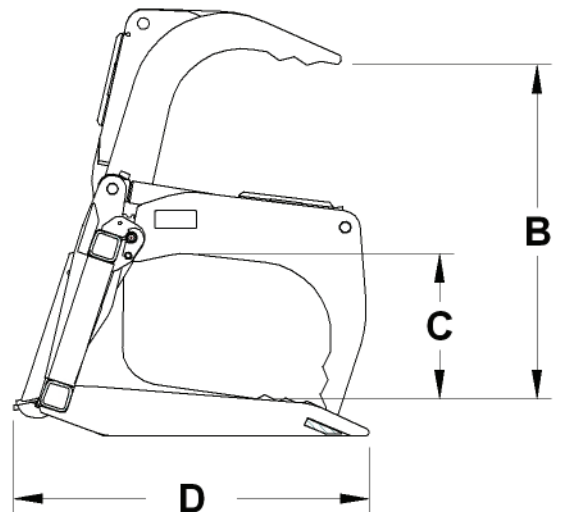
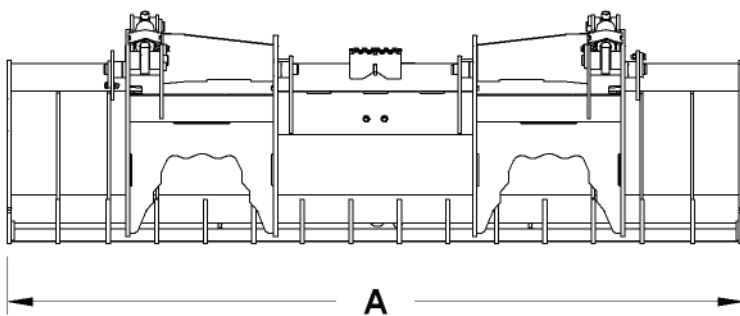
IMPORTANT: All replacement hydraulic hoses and fittings must have a minimum rated working pressure of 4000 psi. Hoses and hydraulic couplers from the attachment to the loader are included for skid-steer only.

Utility Brush Grapple		
Order Code	11266	11272
A. Overall Width	66 3/4"	72 3/4"
B. Grapple Open	17 3/8"	17 3/8"
C. Grapple Closed	29"	29"
D. Overall Depth	36"	36"
Weight	740	775
Number of Tines	12	14

Construction Brush Grapple				
Order Code	11372	11378	11384	11390
A. Overall Width	73"	79"	85"	91"
B. Grapple Open	40"	40"	40"	40"
C. Grapple Closed	16 1/2"	16 1/2"	16 1/2"	16 1/2"
D. Overall Depth	39"	39"	39"	29"
Weight	925	999	1054	1105
Number of Tines	14	14	16	16

Carrier Specifications:	Utility	Construction
lift capacities	<4,000 lbs	<10,000 lbs
operating weight	<8,000 lbs	<20,000 lbs

*NOTE: Includes hardened pin, cushioned cylinder kit & cylinder/hose guard.



PH: (800) 747-2132
FX: (815) 824-2620

100 East Lee Road
Lee, IL 60530
United States of America

www.paladinbrands.com
F-Grapple 0702-1



PALADIN LIGHT CONSTRUCTION

Scrap Grapples

UTILITY & CONSTRUCTION SCRAP GRAPPLES

FEATURES:

- Standard cylinder guards protect all cylinder components
- Standard load check valve
- 1 1/4" cylinder pivot pins
- 1 1/4" x 24" patented grapple pins reduce torsional force
- 3/8" end plates on Utility Grapple
1/2" end plates on Construction Grapple
- Patented cushioned cylinders are 2" x 8" x 1 1/4" on full feature
- Bucket edge drilled for FFC replaceable edge unless specified
- Optional 3/4 x 8" double beveled edge

IMPORTANT: All replacement hydraulic hoses and fittings must have a minimum rated working pressure of 4000 psi. Hoses and hydraulic couplers from the attachment to the loader are included for skid-steer only.

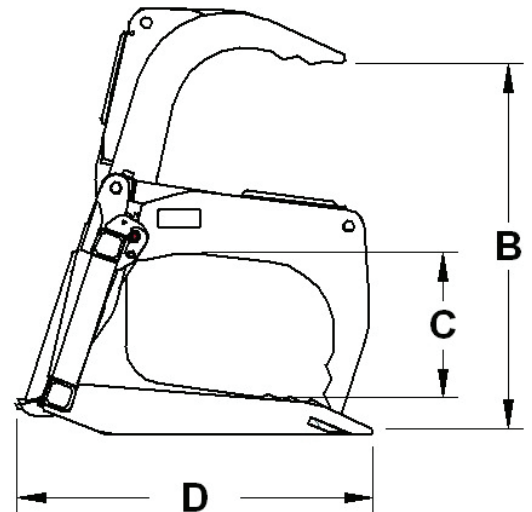
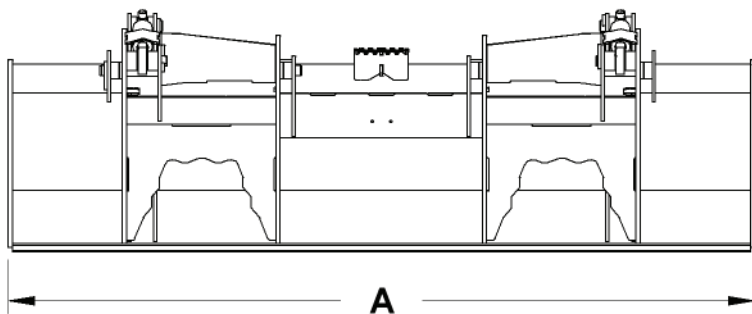
Utility Scrap Grapple

Order Code	11860	11866	11872
A. Overall Width	60 3/4"	66 3/4"	72 3/4"
B. Overall Height Grapple Open	34"	34"	34"
C. Overall Height Grapple Closed	19 3/4"	19 3/4"	19 3/4"
D. Overall Depth	36"	36"	36"
Weight	738	788	835

Construction Scrap Grapple

Order Code	11876	11882	11888
A. Overall Width	77"	83"	89"
B. Grapple Open	40"	40"	40"
C. Grapple Closed	20"	20"	20"
D. Overall Depth	38"	38"	38"
Weight	1081	1133	1180

Carrier Specifications:	Utility	Construction
lift capacities	<4,000 lbs	<7,500 lbs
operating weight	<8,000 lbs	<11,000 lbs



PH: (800) 747-2132
FX: (815) 824-2620

100 East Lee Road
Lee, IL 60530
United States of America

www.paladinbrands.com
F-Grapples 0702-1



PALADIN LIGHT CONSTRUCTION

 **BRADCO**

 **FFC**

 **HARLEY**

 **THE MAJOR**

 **McMILLEN**

 **SWEEPSTER**

PALADIN LIGHT CONSTRUCTION

Thank You For Your Business!

100 East Lee Rd
Lee, IL 60530
(800) 747-2132 · (815) 824-2620 (fax)
www.paladinbrands.com