

VS Pick-Up Sweeper with Vacuum Dust Abatement

For skid-steer loaders.

APPLICATIONS

- Parking lot clean-up
- Construction site clean-up
- Street, curb and gutter clean-up
- Pavement milling operations
- Utility work site clean-up

VACUUM FEATURES

- Dust control without impractical water systems that require constant refilling
- Washable PTFE impregnated filter capable of filtering dust as small as 10 micron
- Drape system seals sweeping chamber to the ground
- High volume fan turning at 1700 rpm to pull air from the sweeping chamber filtering the dust and exhausting clean air
- 12 volt shaker controlled by operator cleans the filter
- Reduces visible dust more effectively than water systems

Patent Pending



Caster Standard

Washable PTFE - coated filter



VS Sweeper

FEATURES

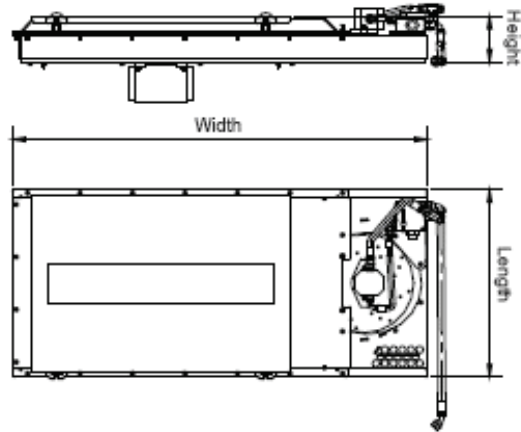
- 60", 72" and 84" models available
- Patented "Volumizing" feature for more debris volume and less recirculation
- High dump design
- Quick change brush
- Big 26" diameter brush
- General purpose light material bucket with bolt-on cutting edge
- No tools required for brush pattern adjustment
- Standard heavy duty front caster wheel
- No tools required for volumizing or brush adjustment

OPTIONS

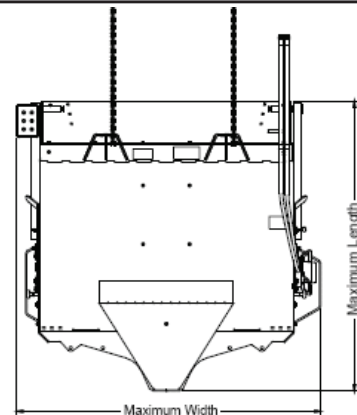
- Single or dual gutter brooms for cleaning curb and gutter
- Various controls for electric shaker

Vacuum Attachment Specifications

Weight (approximate)	235 lbs
Height	6.5"
Width	59"
Length	26.5"
Maximum back pressure	350 psi



VS Sweeper Specifications	60"	72"	84"
Model Number	VS5	VS6	VS7
Sweeping Width	60"	72"	84"
Width (overall)	73"	85"	97"
Height (overall)	30"	30"	30"
Length(overall)	69"	69"	69"
Sweeping Width (with optional gutter brush)	72"	84"	96"
Weight (lbs) (approximate)	1,201	1,294	1,385
Hopper Capacity	15 ft ³	18 ft ³	21 ft ³
GPM Range	15-25	15-25	15-25
PSI Range	2,000-3,500	2,000-3,500	2,000-3,500



Specifications and design are subject to change without notice and without liability, therefore, whenever applicable specifications are in accordance with SAE standards.

PH: (800) 456-7100
FX: (734) 996-9014

2800 North Zeeb Road
Dexter, MI 48130

United States of America
www.paladinbrands.com

S-VA Broc 0611-3



PALADIN LIGHT CONSTRUCTION