

# WLA Parallel Linkage Angle Broom

For large articulated loaders with 2 to 5 yard capacity

## *Product Information Bulletin*

### **APPLICATIONS:**

- construction site clean-up
- snow removal on parking lots, streets, and small airports
- transfer station and landfill clean-up
- parking lot and driveway cleaning for large sites
- municipal, county, and state highway cleaning
- asphalt contractors
- cleaning after milling machine operations

### **FEATURES:**

- 10ft and 12ft wide models available
- large 36" diameter brush
- dual motor design for high torque
- quick change brush without breaking hydraulic lines



PALADIN LIGHT CONSTRUCTION

# WLA Parallel Linkage Angle Broom

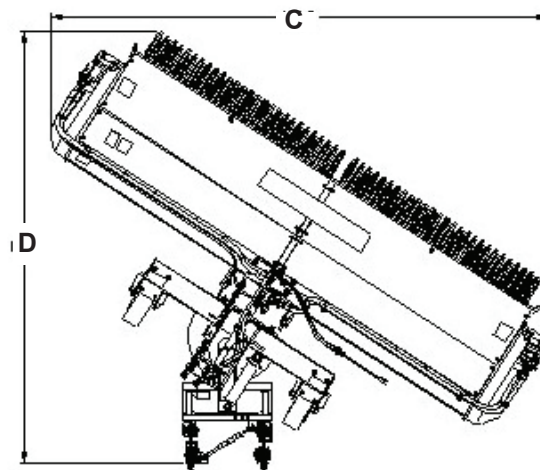
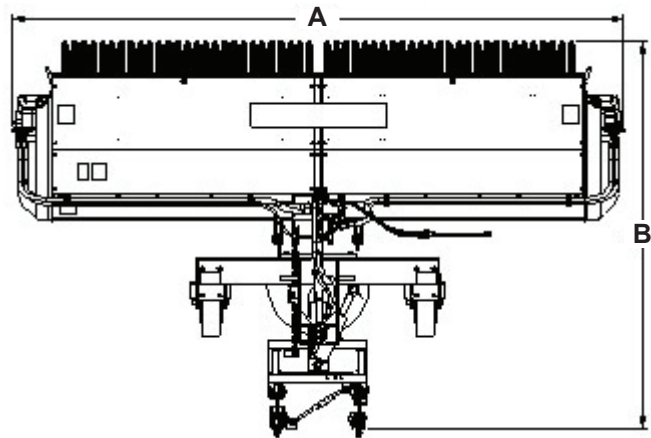
## FEATURES:

- parallel arm brush suspension allows brush to follow ground contours independent of loader
- mounts to large articulated loaders with loader quick attach systems
- quick attach mounting available
- heavy duty solid rubber casters
- durable hex brush drive system with replaceable parts
- split brush core for easy handling supported in the middle with a heavy duty 1½" square bearing
- hydraulic angle with 24 volt electric valve and control box
- high brush tip speed for effective snow sweeping
- bolt together faceted hood supported in the middle of the brush
- adjustable, positive, turnbuckle style brush pattern control

## OPTIONS:

- 180° hood and dirt deflector
- Dust Suppression System

Specifications	10'	12'
model number	21321	21345
A. maximum width	143"	167"
B. maximum length	90"	90"
C. maximum width at 30°	131"	151"
D. maximum length at 30°	113"	120"
brush diameter	36"	36"
weight (lbs)	1,943 lbs	2,332 lbs
working width	120"	144"
working width at 30° angle	103"	124"
motor size	24" <sup>3</sup>	24" <sup>3</sup>
motors	dual	dual
GPM range	20 to 80	20 to 80
maximum system pressure	3,500 psi	3,500 psi



Specifications and design are subject to change without notice and without liability, therefore, whenever applicable specifications are in accordance with SAE standards.

PH: (800) 456-7100  
FX: (734) 996-9014

2800 North Zeeb Road  
Dexter, MI 48130  
United States of America

[www.paladinbrands.com](http://www.paladinbrands.com)



PALADIN LIGHT CONSTRUCTION

S-WLA AB Broc 0609-2