

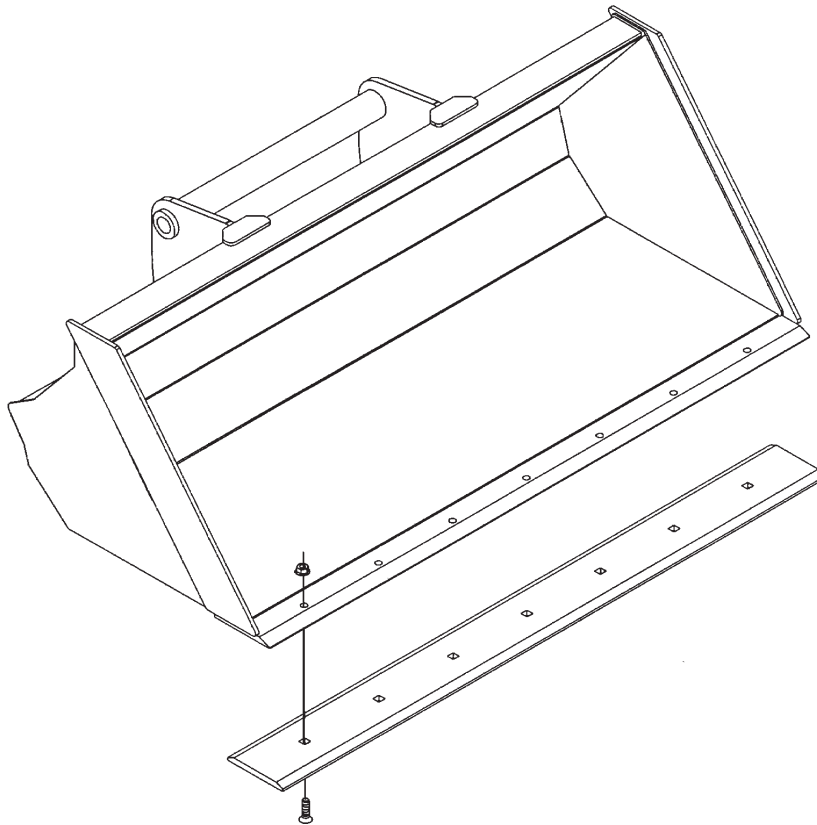


OPERATOR'S & PARTS MANUAL

.50 - 1.00 CUBIC YARD BUCKET



PALADIN LIGHT CONSTRUCTION



SERIAL NUMBER: _____

MODEL NUMBER: _____

Manual Number: 76836

Part Number: 76836

Date: December 27, 2005

TABLE OF CONTENTS

PREFACE.....	5
GENERAL COMMENTS	5
BEFORE OPERATION	5
SAFETY ALERT SYMBOL.....	5
SERVICE	5
SAFETY STATEMENTS.....	6
GENERAL SAFETY PRECAUTIONS.....	6-8
EQUIPMENT SAFETY PRECAUTIONS.....	9
INSTALLATION AND OPERATION.....	10
ATTACHING AND DETACHING EQUIPMENT	10
OPERATING EQUIPMENT.....	10
LIMITED WARRANTY	11
PARTS	
<u>GENERAL PURPOSE BUCKET</u>	
.50 CUBIC YARD X 46" - ASSEMBLY #12747	14
.50 CUBIC YARD X 48" - ASSEMBLY #12632	15
.50 CUBIC YARD X 66" - ASSEMBLY #12683	16
.75 CUBIC YARD X 77" - ASSEMBLY #12804	17
1.00 CUBIC YARD X 72" - ASSEMBLY #11058	18
1.00 CUBIC YARD X 60" - ASSEMBLY #12787	19
1.00 CUBIC YARD X 80" - ASSEMBLY #12530	20
1.00 CUBIC YARD X 80" - ASSEMBLY #12649	21
1.00 CUBIC YARD X 80" - ASSEMBLY #12749	22
1.00 CUBIC YARD X 80" - ASSEMBLY #17282	23
1.00 CUBIC YARD X 85" - ASSEMBLY #12809	24
1.10 CUBIC YARD X 96" - ASSEMBLY #12589	25
<u>CUTTING EDGE</u>	
66" BOLT-ON ASSEMBLY #18682	26
72" BOLT-ON ASSEMBLY #12504	27
77" BOLT-ON ASSEMBLY #14989	28
80" BOLT-ON ASSEMBLY #309995	29
85" BOLT-ON ASSEMBLY #12812	30
96" BOLT-ON ASSEMBLY #11002	31

FOREWORD

Although The Major has various .50 to 1.00 cubic yard buckets available, we are continually designing new bucket sizes and mountings. If your combination is not listed, please contact the factory. We have extensive mounting information available to generate the product you need.

Below is a listing of the bucket assemblies available in the .50 to 1.00 cubic yard range. See the "Parts" section of this manual for the assemblies "Shown".

DESCRIPTION & MOUNT	ASSEMBLY #
CASE	
1.00 Cubic Yard x 96.00" Bucket - CASE 640 (PRE-2002)	11036
CATERPILLAR	
.50 Cubic Yard x 46.00" Bucket - CAT 902/906/908 (Shown)	12747
.50 Cubic Yard x 66.00" Bucket - CAT 902/906/908 (Shown)	12683
1.00 Cubic Yard x 96" Bucket - CAT RT70/RT100	12576
1.00 Cubic Yard x 72.00" Bucket - CAT IT/TH	12671
1.00 Cubic Yard x 72.00" Bucket - CAT 902/906/908	12733
1.00 Cubic Yard x 80.00" Bucket - CAT IT/TH (Shown)	12649
1.00 Cubic Yard x 96.00" Bucket - CAT IT/TH	11040
FURUKAWA	
.75 Cubic Yard x 72.00" Bucket - FURUKAWA WITH UNIVERSAL HITCH (Shown)	11058
INGERSOLL RAND	
1.00 Cubic Yard x 96.00" Bucket - IR 642 (PRE-2002)	11036
JCB	
.50 Cubic Yard x 40.00" Bucket - JCB 520	12727
.50 Cubic Yard x 48.00" Bucket - JCB 520 (Shown)	12632
.50 Cubic Yard x 54.00" Bucket - JCB 407B	11015
.75 Cubic Yard x 77.00" Bucket - JCB 407ZX & 409 (Shown)	12804
1.00 Cubic Yard x 60.00" Bucket - JCB 408 (Shown)	12787
1.00 Cubic Yard x 68.00" Bucket - JCB 210SL Q-FIT	11047
1.00 Cubic Yard x 72.00" Bucket - JCB 407BZX/409BZX	12388
1.00 Cubic Yard x 72.00" Bucket - JCB 416 HT WHEEL LOADER	12663
1.00 Cubic Yard x 82.00" Bucket - JCB 520	12571
1.00 Cubic Yard x 85.00" Bucket - JCB 407BZX/409BZX	11051
1.00 Cubic Yard x 85.00" Bucket - JCB Q-FIT (Shown)	12809
1.00 Cubic Yard x 80.00" Bucket - JCB 506/508 (Shown)	12749

DESCRIPTION & MOUNT	ASSEMBLY #
JCB	
1.00 Cubic Yard x 96.00" Bucket - JCB 407BZX/407BZX	12315
1.00 Cubic Yard x 96.00" Bucket - JCB 506B/506C/508	11548
1.00 Cubic Yard x 96.00" Bucket - JCB 526	12502
1.00 Cubic Yard x 96.00" Bucket - JCB 508B (Shown)	12589
KOMATSU	
.50 Cubic Yard x 66.00" Bucket - KOMATSU WA 65/75/85/95	12546
LULL	
1.00 Cubic Yard x 96.00" Bucket - LULL 644E/944E (Shown)	12589
MANITOU	
1.00 Cubic Yard x 80.00" Bucket - MANITOU (Shown)	12530
1.00 Cubic Yard x 80.00" Bucket - MANITOU	12392
1.00 Cubic Yard x 80.00" Bucket - MANITOU (Shown)	17282
NEW HOLLAND	
1.00 Cubic Yard x 72.00" Bucket - NH LW-80 QUICK ATTACH	12424
1.00 Cubic Yard x 83.00" Bucket - NH 45 TLB	307021
1.00 Cubic Yard x 83.00" Bucket - NH 445C/545D	307073
SKYTRAK	
1.00 Cubic Yard x 80.00" Bucket - SKYTRAK QUICK ATTACH (Shown)	12749
1.00 Cubic Yard x 96.00" Bucket - SKYTRAK QUICK ATTACH (Shown)	12589
TEREX	
1.00 Cubic Yard x 80.00" Bucket - TEREX WITH QUICK ATTACH (Shown)	12749
1.00 Cubic Yard x 96.00" Bucket - TEREX WITH QUICK ATTACH (Shown)	12589
VOLVO	
.75 Cubic Yard x 77.00" Bucket - VOLVO L30-L35 (Shown)	12804
1.00 Cubic Yard x 60.00" Bucket - VOLVO L30-L35 (Shown)	12787

PREFACE

GENERAL COMMENTS

Congratulations on the purchase of your new attachment! This product was carefully designed and manufactured to give you many years of dependable service. Only minor maintenance, such as cleaning and lubricating, is required to keep it in top working condition. Be sure to observe all maintenance procedures and safety precautions in this manual and on any safety decals located on the product, and on any equipment on which the attachment is mounted. Also, check load charts before operating the attachment.

This manual has been designed to help you do a better, safer job. Read this manual carefully and become familiar with its contents.

WARNING! Never let anyone operate this unit without reading the “Safety Precautions” and “Operating Instructions” sections of this manual.



Always choose hard, level ground to park the vehicle on, and set the brake so the unit cannot roll.

Unless noted otherwise, right and left sides are determined from the operator’s control position when facing the attachment.

NOTE: The illustrations and data used in this manual were current, according to the information available to us at the time of printing. However, we reserve the right to redesign and change the attachment as may be necessary, without notification.

BEFORE OPERATION

The primary responsibility for safety with this equipment falls to the operator. Make sure the equipment is operated only by trained individuals who have read and understand this manual. If there is any portion of this manual or function that you do not understand, contact your local authorized dealer or the manufacturer.

SAFETY ALERT SYMBOL



This is the “Safety Alert Symbol” used by this industry. This symbol is used to warn of possible injury. Be sure to read all warnings carefully. They are included for your safety and for the safety of others working with you.

SERVICE

When servicing your product, remember to use only manufacturer replacement parts. Substitute parts may not meet the standards required for safe, dependable operation.

To facilitate parts ordering, record the model and serial number of your unit in the space provided on the cover of this manual. This information may be obtained from the identification plate located on the product.

The parts department needs this information to ensure that you receive the correct parts for your specific model.

SAFETY STATEMENTS



THIS SYMBOL BY ITSELF OR WITH A WARNING WORD THROUGHOUT THIS MANUAL IS USED TO CALL YOUR ATTENTION TO INSTRUCTIONS INVOLVING YOUR PERSONAL SAFETY OR THE SAFETY OF OTHERS. FAILURE TO FOLLOW THESE INSTRUCTIONS CAN RESULT IN INJURY OR DEATH.



DANGER

THIS SIGNAL WORD IS USED WHERE SERIOUS INJURY OR DEATH WILL RESULT IF THE INSTRUCTIONS ARE NOT FOLLOWED PROPERLY.



WARNING

THIS SIGNAL WORD IS USED WHERE SERIOUS INJURY OR DEATH COULD RESULT IF THE INSTRUCTIONS ARE NOT FOLLOWED PROPERLY.



CAUTION

THIS SIGNAL WORD IS USED WHERE MINOR INJURY COULD RESULT IF THE INSTRUCTIONS ARE NOT FOLLOWED PROPERLY.

NOTICE

NOTICE INDICATES A PROPERTY DAMAGE MESSAGE.

GENERAL SAFETY PRECAUTIONS

WARNING!

READ MANUAL PRIOR TO INSTALLATION



Improper installation, operation, or maintenance of this equipment could result in serious injury or death. Operators and maintenance personnel should read this manual, as well as all manuals related to this equipment and the prime mover thoroughly before beginning installation, operation, or maintenance. **FOLLOW ALL SAFETY INSTRUCTIONS IN THIS MANUAL AND THE PRIME MOVER'S MANUAL(S).**



READ AND UNDERSTAND ALL SAFETY STATEMENTS

Read all safety decals and safety statements in all manuals prior to operating or working on this equipment. Know and obey all OSHA regulations, local laws, and other professional guidelines for your operation. Know and follow good work practices when assembling, maintaining, repairing, mounting, removing, or operating this equipment.



KNOW YOUR EQUIPMENT

Know your equipment's capabilities, dimensions, and operations before operating. Visually inspect your equipment before you start, and never operate equipment that is not in proper working order with all safety devices intact. Check all hardware to ensure it is tight. Make certain that all locking pins, latches, and connection devices are properly installed and secured. Remove and replace any damaged, fatigued, or excessively worn parts. Make certain all safety decals are in place and are legible. Keep decals clean, and replace them if they become worn or hard to read.

GENERAL SAFETY PRECAUTIONS

WARNING!



PROTECT AGAINST FLYING DEBRIS

Always wear proper safety glasses, goggles, or a face shield when driving pins in or out, or when any operation causes dust, flying debris, or any other hazardous material.

WARNING!



LOWER OR SUPPORT RAISED EQUIPMENT

Do not work under raised booms without supporting them. Do not use support material made of concrete blocks, logs, buckets, barrels, or any other material that could suddenly collapse or shift positions. Make sure support material is solid, not decayed, warped, twisted, or tapered. Lower booms to ground level or on blocks. Lower booms and attachments to the ground before leaving the cab or operator's station.

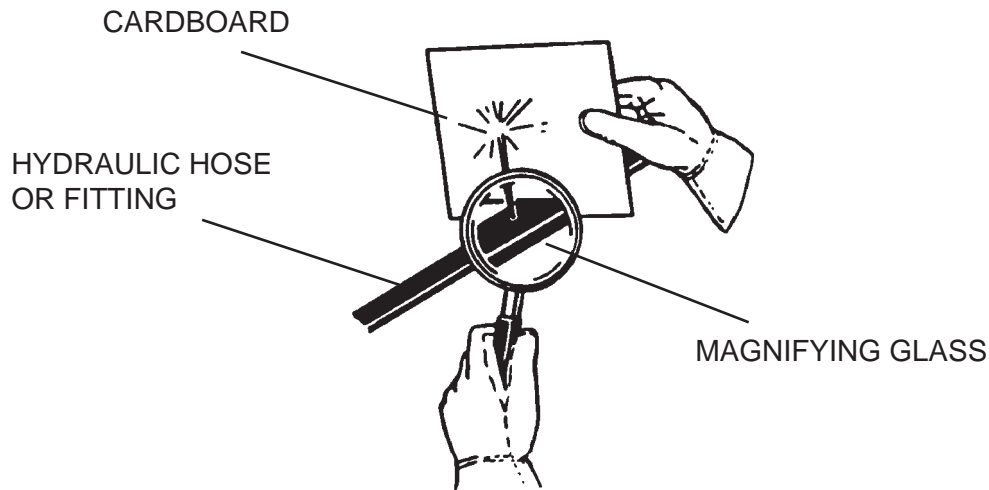
WARNING!



USE CARE WITH HYDRAULIC FLUID PRESSURE

Hydraulic fluid under pressure can penetrate the skin and cause serious injury or death. Hydraulic leaks under pressure may not be visible. Before connecting or disconnecting hydraulic hoses, read your prime mover's operator's manual for detailed instructions on connecting and disconnecting hydraulic hoses or fittings.

- Keep unprotected body parts, such as face, eyes, and arms as far away as possible from a suspected leak. Flesh injected with hydraulic fluid may develop gangrene or other permanent disabilities.
- If injured by injected fluid, see a doctor at once. If your doctor is not familiar with this type of injury, ask him or her to research it immediately to determine proper treatment.
- Wear safety glasses, protective clothing, and use a piece of cardboard or wood when searching for hydraulic leaks. **DO NOT USE YOUR HANDS! SEE ILLUSTRATION.**



M-807 7-28-05-2

GENERAL SAFETY PRECAUTIONS

WARNING!



DO NOT MODIFY MACHINE OR ATTACHMENTS

Modifications may weaken the integrity of the attachment and may impair the function, safety, life, and performance of the attachment. When making repairs, use only the manufacturer's genuine parts, following authorized instructions. Other parts may be substandard in fit and quality. Never modify any ROPS (Roll Over Protection Structure) or FOPS (Falling Object Protective Structure) equipment or device. Any modifications must be authorized in writing by the manufacturer.

WARNING!



SAFELY MAINTAIN AND REPAIR EQUIPMENT

- Do not wear loose clothing or any accessories that can catch in moving parts. If you have long hair, cover or secure it so that it does not become entangled in the equipment.
- Work on a level surface in a well-lit area.
- Use properly grounded electrical outlets and tools.
- Use the correct tools for the job at hand. Make sure they are in good condition for the task required.
- Wear the protective equipment specified by the tool manufacturer.



SAFELY OPERATE EQUIPMENT

Do not operate equipment until you are completely trained by a qualified operator in how to use the controls, know its capabilities, dimensions, and all safety requirements. See your machine's manual for these instructions.

- Keep all step plates, grab bars, pedals, and controls free of dirt, grease, debris, and oil.
- Never allow anyone to be around the equipment when it is operating.
- Do not allow riders on the attachment or the prime mover.
- Do not operate the equipment from anywhere other than the correct operator's position.
- Never leave equipment unattended with the engine running, or with this attachment in a raised position.
- Do not alter or remove any safety feature from the prime mover or this attachment.
- Know your work site safety rules as well as traffic rules and flow. When in doubt on any safety issue, contact your supervisor or safety coordinator for an explanation.

EQUIPMENT SAFETY PRECAUTIONS

WARNING!



KNOW WHERE UTILITIES ARE

Observe overhead electrical and other utility lines. Be sure equipment will clear them. When digging, call your local utilities for location of buried utility lines, gas, water, and sewer, as well as any other hazard you may encounter.



OPERATING THE PRIME MOVER

Avoid steep hillside operation, which could cause the prime mover to overturn. Consult your prime mover operator's and safety manuals for maximum incline allowable. Extreme caution should be used when working along the top of banks or slopes. Keep away from the edge.

When operating on a slope, keep the load low, and proceed with extreme caution.

Do not drive ACROSS a steep slope - drive straight up and down.

With a LOADED bucket - face the bucket and load uphill.

With an EMPTY bucket - face the bucket downhill.



WORKING WITH THE ATTACHMENT

- Never use your attachment for a work platform or personnel carrier.
- Specified lift capacities must not be exceeded, otherwise machine stability is not sufficient. Always observe lift capacity limits listed in machine specifications or written on load charts furnished with the handler.
- An operator must not use drugs or alcohol, which can change his or her alertness or coordination. An operator taking prescription or over-the-counter drugs should seek medical advice on whether or not he or she can safely operate equipment.
- Always check locking pins before operating any attachment.
- Never lift, move, or swing a loaded bucket over anyone.
- Never undercut a high bank. When working at the base of a bank, overhang, or stockpile, avoid dangers such as rock or earth slides, overhanging trees, or a cave-in, by proper job operation.
- Be careful when handling loose objects. Lifting too high, or rolling the bucket too far back, could result in these objects sliding backward down the arms onto the operator compartment.
- Don't obstruct your vision when traveling or working. Carry the bucket low for maximum stability and visibility.

INSTALLATION AND OPERATION

ATTACHING AND DETACHING EQUIPMENT

Please see your vehicle operator's manual for instructions on attaching and detaching your equipment.

OPERATING EQUIPMENT

Read all Safety Precautions before operating your new attachment. If you have not been supplied with a load chart for your attachment, order one from your dealer, and place it inside the operating machine for safe lift capacity limits.

Refer to your machine operator's manual for attachment operation.

NOTE: A cutting edge assembly is recommended when operating on hard abrasive surfaces.

LIMITED WARRANTY

All new Major products are warranted to be free from defects in materials or workmanship which may cause failure under normal usage and service, when used for the purpose intended.

In the event of failure within twelve (12) months from initial retail sale, lease or rental date (excluding cable, ground engaging parts such as sprockets, digging chain, bearings, teeth, tamping and demolition heads, blade cutting edges, pilot bits, auger teeth, auger heads & broom bristles), if after examination, The Major determines failure was due to defective material and/or workmanship, parts will be repaired or replaced. The Major may request defective part or parts be returned prepaid to them for inspection at their place of business at Delhi, Iowa, or to a location specified by The Major.

Any claims under this warranty must be made within fifteen (15) days after the Buyer learns of the facts upon which such claim is based. All claims not made in writing and received by The Major within the time period specified above shall be deemed waived.

THIS WARRANTY IS IN LIEU OF ALL OTHER WARRANTIES EXPRESSED OR IMPLIED, AND THERE ARE NO WARRANTIES OF MERCHANTABILITY OR OF FITNESS FOR A PARTICULAR PURPOSE. IN NO EVENT SHALL THE MAJOR BE LIABLE FOR CONSEQUENTIAL OR SPECIAL DAMAGE.

THE MAJOR'S LIABILITY FOR ANY AND ALL LOSSES AND DAMAGES TO BUYER, RESULTING FROM ANY CAUSE WHATSOEVER, INCLUDING THE MAJOR'S NEGLIGENCE, IRRESPECTIVE OF WHETHER SUCH DEFECTS ARE DISCOVERABLE OR LATENT, SHALL IN NO EVENT EXCEED THE PURCHASE PRICE OF THE PARTICULAR PRODUCTS WITH RESPECT TO WHICH LOSSES OR DAMAGES ARE CLAIMED, OR, AT THE ELECTION OF THE MAJOR, THE REPAIR OR REPLACEMENT OF DEFECTIVE OR DAMAGED PRODUCTS.

PARTS

The following section contains detailed diagrams and parts lists which include your attachment. Please use these diagrams and parts lists to locate replacement parts, prior to contacting the parts department.

When servicing your attachment, remember to use only original manufacturer replacement parts. Substitute parts may not meet the standards required for safe, dependable operation.

To facilitate parts ordering, have the model and serial number of your product ready, to ensure that you receive the correct parts for your specific attachment.

The model and serial number for your attachment should be recorded in the space provided on the cover of this manual. This information may be obtained from the serial number identification plate located on your attachment. **See the parts diagram for your attachment for the location.**

NOTE: Most daily and emergency orders received by 2:00 P.M. will be shipped the same day received, with “Emergency-Machine-Down” orders receiving first priority.



PARTS DEPARTMENT

(563) 922-2981

(800) 922-2981

We Encourage Fax Orders

(563) 922-2593

M-1127 10-4-06-2

GENERAL PURPOSE BUCKET

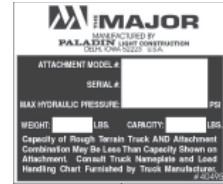
.50 CUBIC YARD x 46" - ASSEMBLY #12747



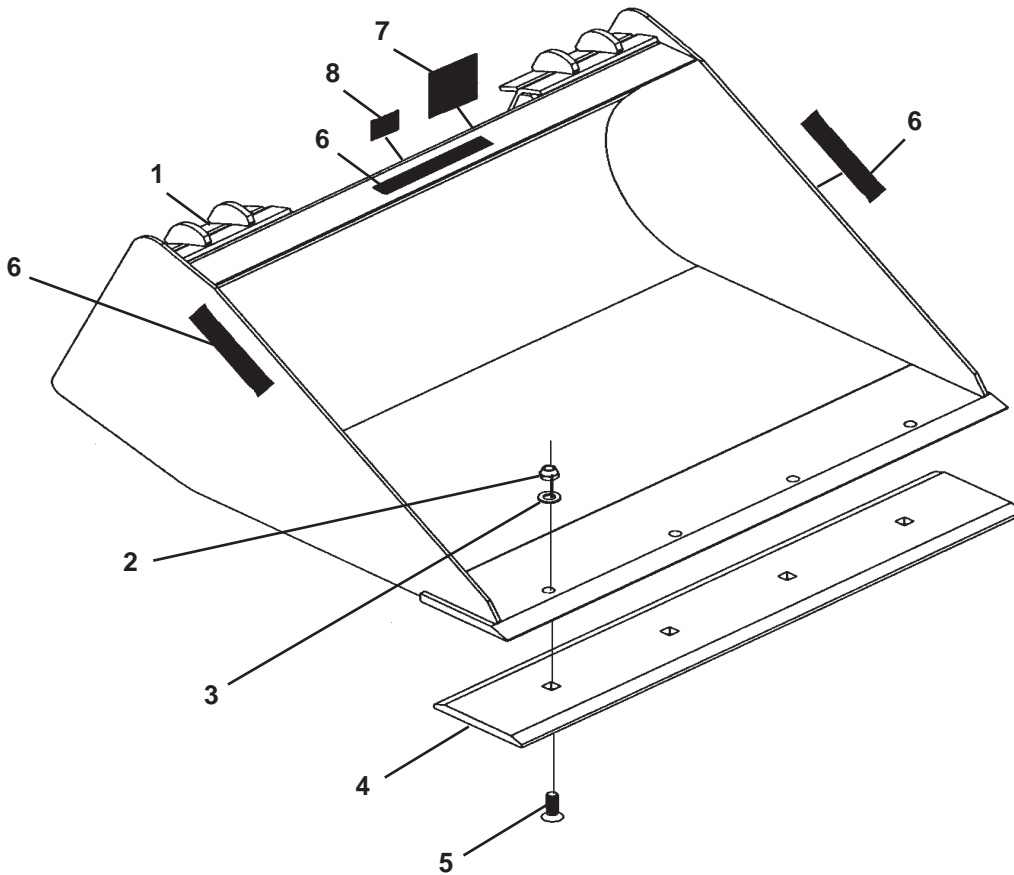
6



8



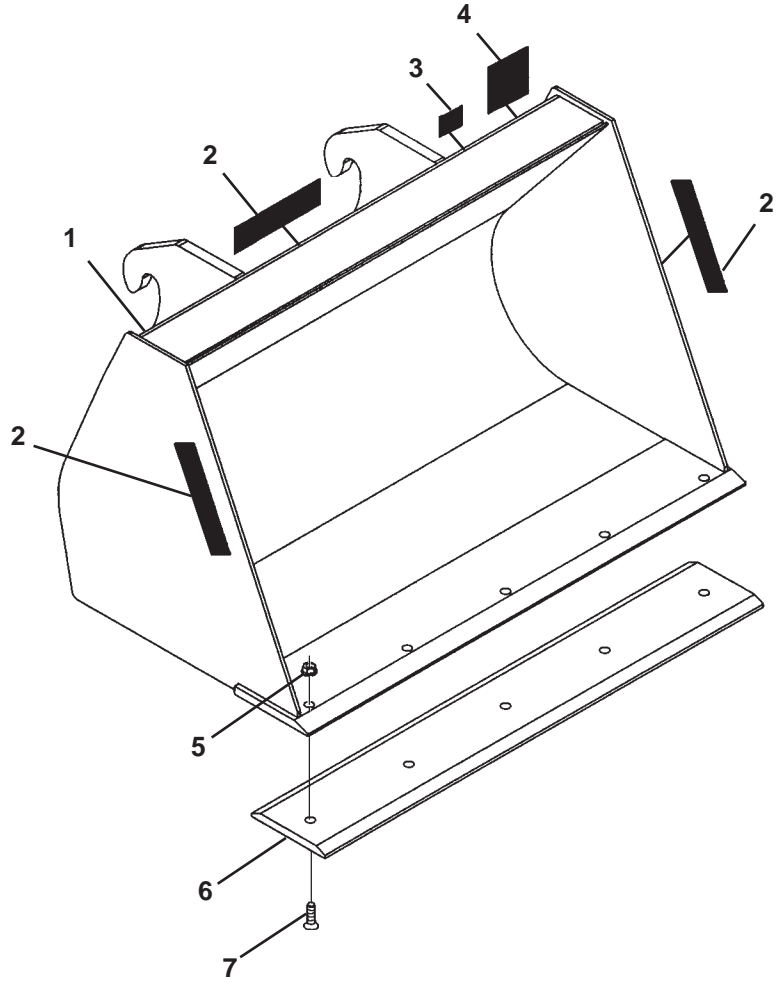
7



<u>ITEM</u>	<u>QTY.</u>	<u>PART NO.</u>	<u>DESCRIPTION</u>
1	1	102932	Bucket, .50 Cubic Yard x 46" Wide
2	4	1936	.75" UNC Deformed Lock Nut
3	4	1649	.75" Hard Flat Washer
4	1	102989	Cutting Edge, .75" x 8.00" x 46.00"
5	4	10061	.75" UNC x 2.25" Plow Bolt
6	3	40502	Major Logo, Medium
7	1	4338	Made in the USA Decal
8	1	----	Serial Number Identification Tag Location

GENERAL PURPOSE BUCKET

.50 CUBIC YARD x 48" - ASSEMBLY#12632



<u>ITEM</u>	<u>QTY.</u>	<u>PART NO.</u>	<u>DESCRIPTION</u>
1	1	104550	Bucket, .50 Cubic Yard x 46" Wide
2	3	40502	Major Logo, Medium
3	1	4338	Made in the USA Decal
4	1	-----	Serial Number Identification Tag Location
5	5	1936	.75" UNC Deformed Lock Nut
6	1	317439	Cutting Edge, .75" x 8.00" x 48.00"
7	5	1937	.75" UNC x 2.50" Plow Bolt

M-1001 11-22-05

GENERAL PURPOSE BUCKET

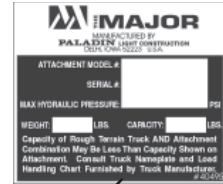
.50 CUBIC YARD x 66" - ASSEMBLY #12683



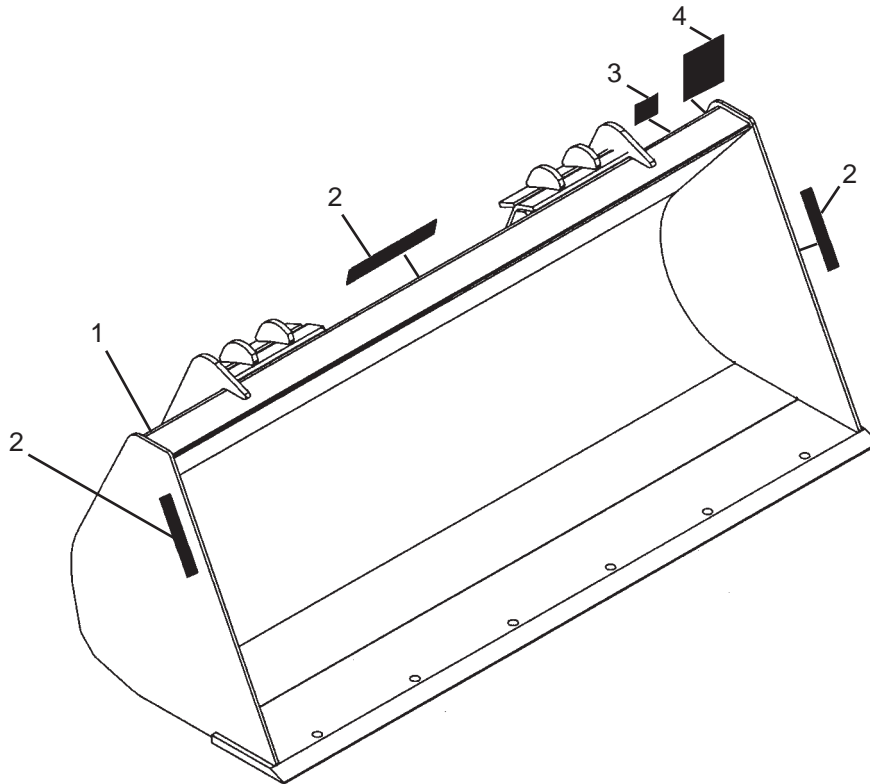
2



3



4

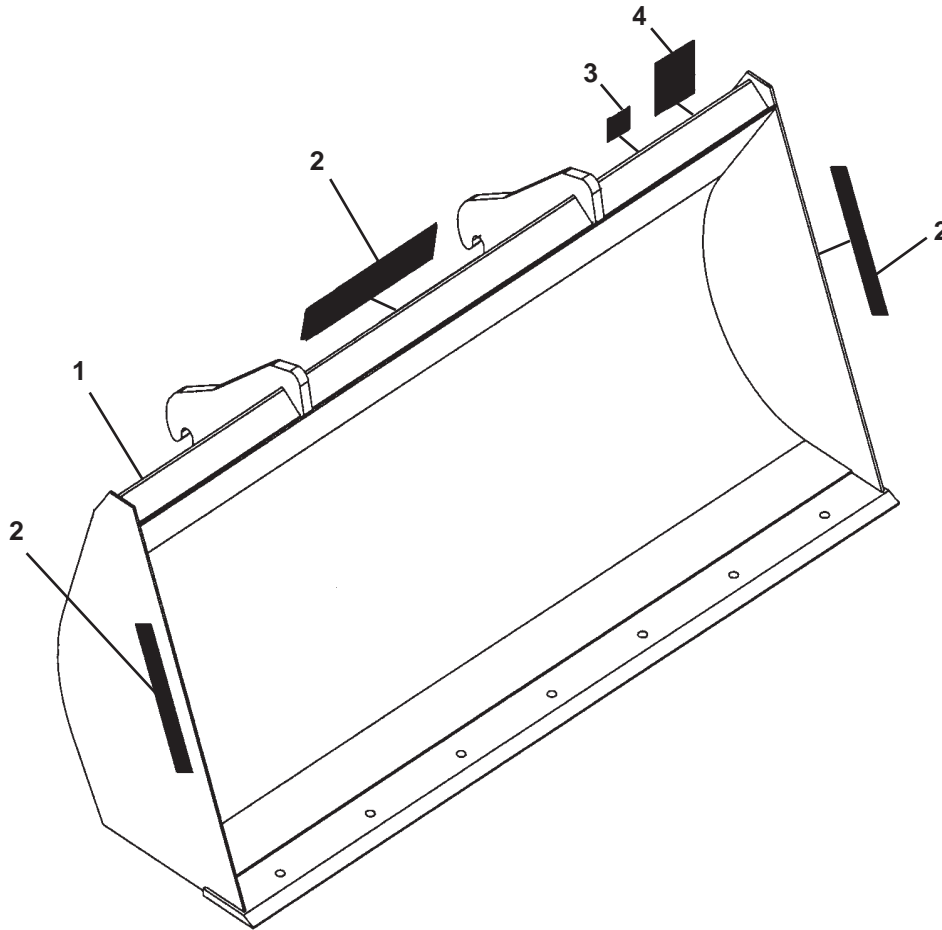
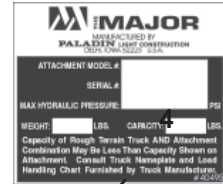


<u>ITEM</u>	<u>QTY.</u>	<u>PART NO.</u>	<u>DESCRIPTION</u>
1	1	101586	Bucket, .50 Cubic Yard x 66.00" Wide
2	3	40502	Major Logo, Medium
3	1	4338	Made in the USA Decal
4	1	-----	Serial Number Identification Tag Location

NOTE: Optional cutting edge assembly #18682 is available for this bucket.

GENERAL PURPOSE BUCKET

.75 CUBIC YARD x 77" - ASSEMBLY #12804



<u>ITEM</u>	<u>QTY.</u>	<u>PART NO.</u>	<u>DESCRIPTION</u>
1	1	104750	Bucket, .75 Cubic Yard x 77" Wide
2	3	40502	Major Logo, Medium
3	1	4338	Made in the USA Decal
4	1	-----	Serial Number Identification Tag Location

NOTE: Optional cutting edge assembly #14989 is available for this bucket.

GENERAL PURPOSE BUCKET

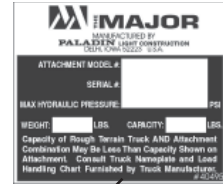
1.00 CUBIC YARD x 72" - ASSEMBLY #11058



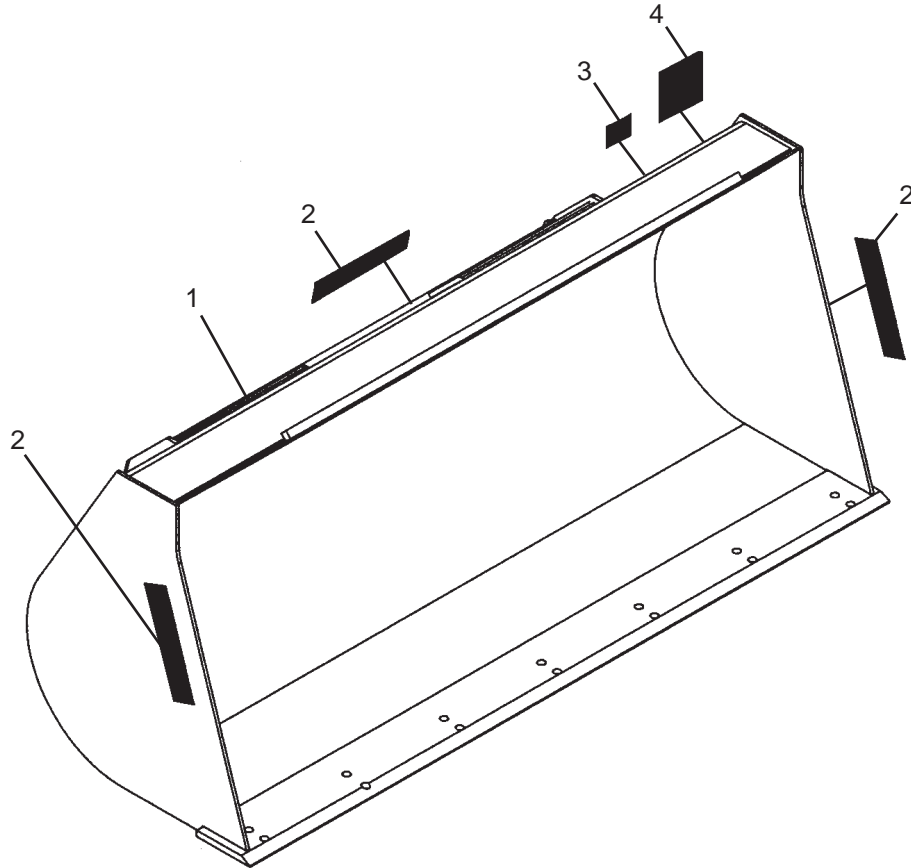
2



3



4

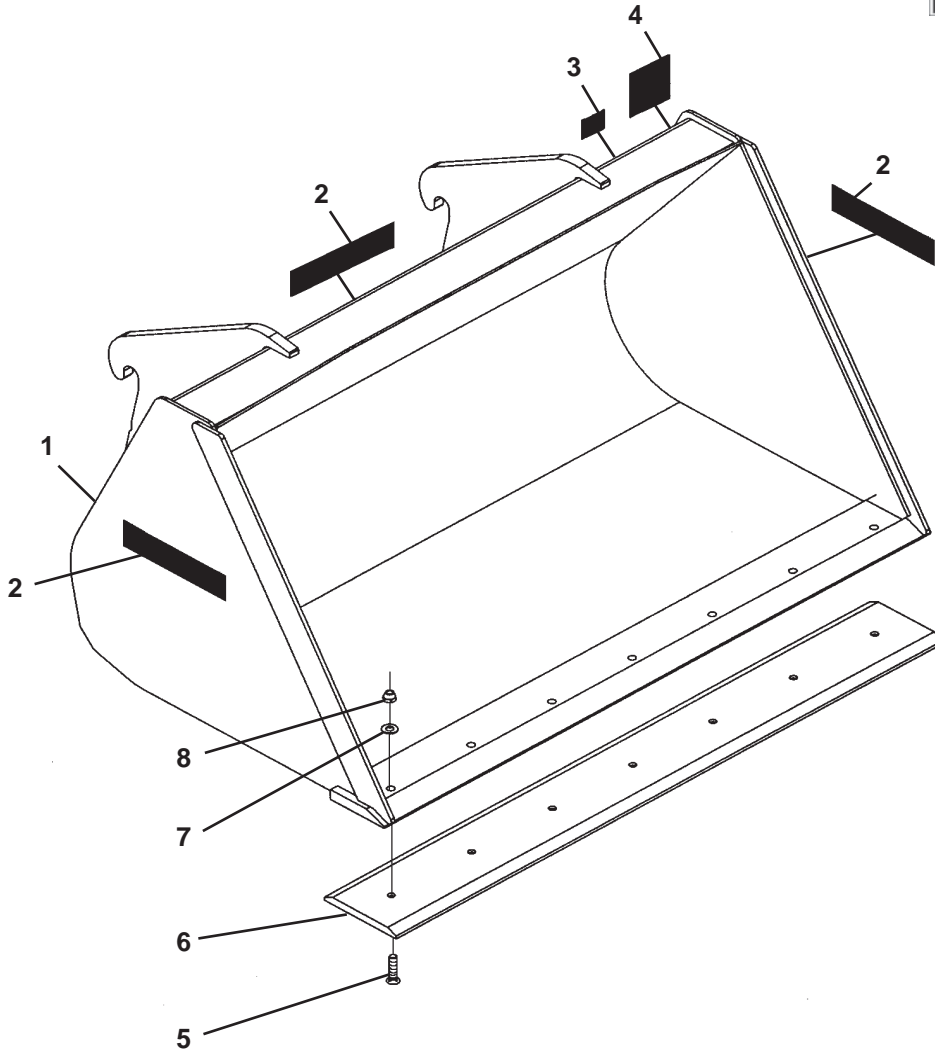
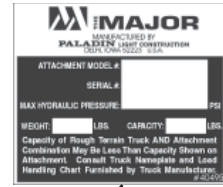


<u>ITEM</u>	<u>QTY.</u>	<u>PART NO.</u>	<u>DESCRIPTION</u>
1	1	18590	Bucket, 1.00 Cubic Yard x 72.00" Wide
2	3	40502	Major Logo, Medium
3	1	4338	Made in the USA Decal
4	1	-----	Serial Number Identification Tag Location

NOTE: Optional cutting edge assembly #12504 is available for this bucket.

GENERAL PURPOSE BUCKET

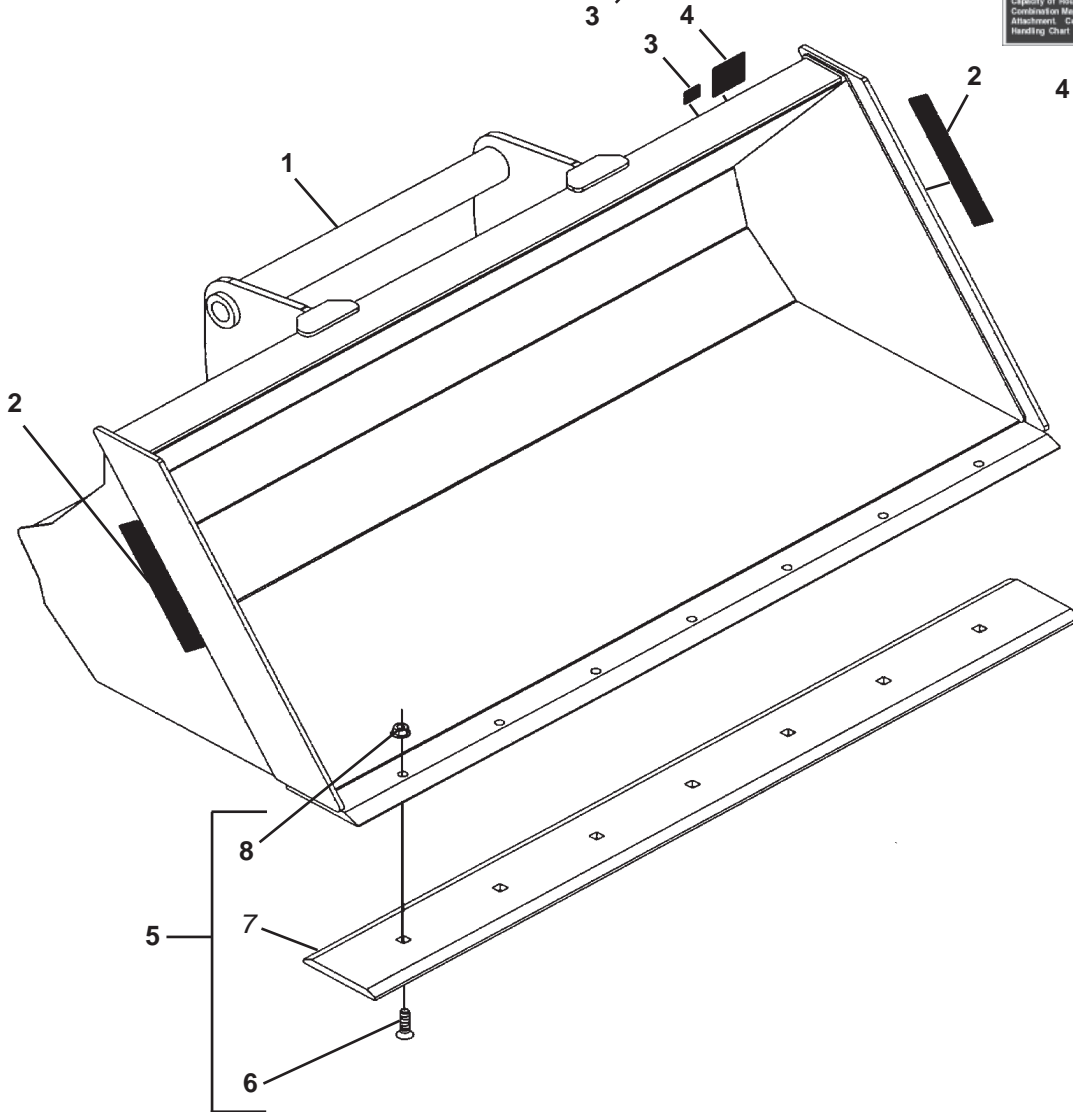
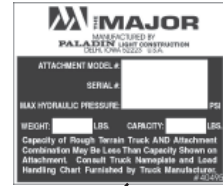
1.00 CUBIC YARD x 60" - ASSEMBLY #12787



<u>ITEM</u>	<u>QTY.</u>	<u>PART NO.</u>	<u>DESCRIPTION</u>
1	1	104302	Bucket, 1.00 Cubic Yard x 60" Wide
2	3	40502	Major Logo, Medium
3	1	4338	Made in the USA Decal
4	1	----	Serial Number Identification Tag Location
5	7	10021	.62" UNC x 2.50" Plow Bolt, Grade 8
6	1	15094	Cutting Edge, .75" x 8.00" x 61.00"
7	7	1627	.62" Hard Flat Washer
8	5	1839	.62" UNC Deformed Lock Nut

GENERAL PURPOSE BUCKET

1.00 CUBIC YARD x 80" - ASSEMBLY #12530



<u>ITEM</u>	<u>QTY.</u>	<u>PART NO.</u>	<u>DESCRIPTION</u>
1	1	309951	Bucket, 1.00 Cubic Yard x 80" Wide
2	2	40502	Major Logo, Medium
3	1	4338	Made in the USA Decal
4	1	----	Serial Number Identification Tag Location
5	1	309995	Bolt-On Cutting Edge Assembly (Includes Items 6-8)
6	7	1936	.75" UNC Deformed Lock Nut
7	1	309994	Cutting Edge .75" x 8.00" x 79.50"
8	7	10061	.75" UNC x 2.25" Plow Bolt

M-1047 11-29-05

GENERAL PURPOSE BUCKET

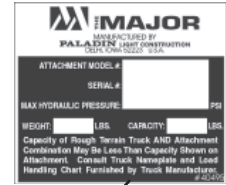
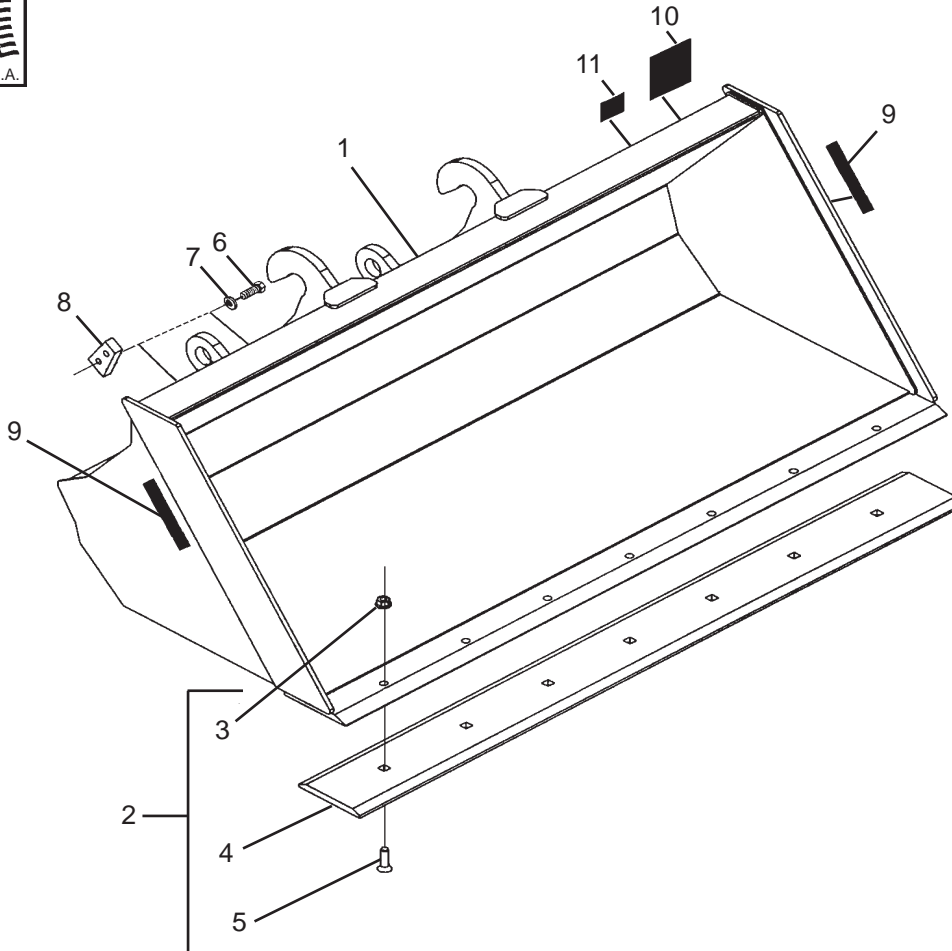
1.00 CUBIC YARD x 80" - ASSEMBLY #12649



9



11



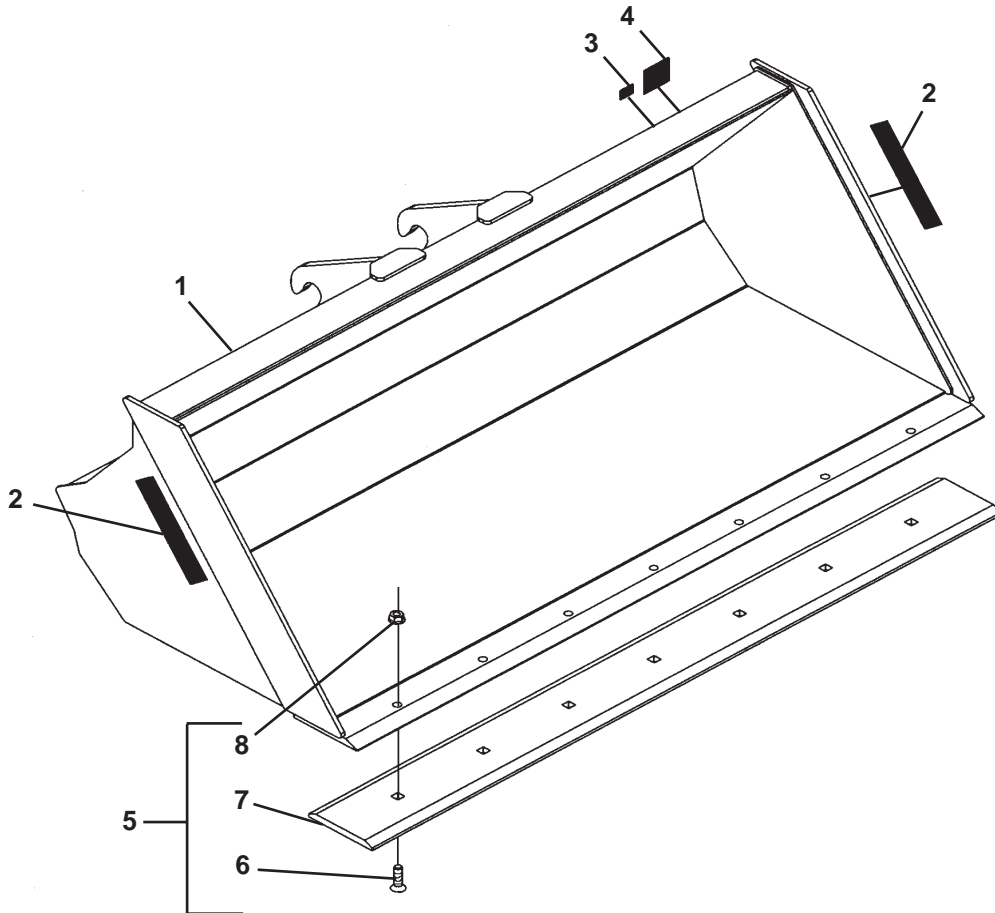
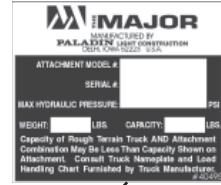
10

<u>ITEM</u>	<u>QTY.</u>	<u>PART NO.</u>	<u>DESCRIPTION</u>
1	1	24510	Bucket, 1.00 Cubic Yard x 80" Wide
2	1	309995	Bolt-On Cutting Edge Assembly (Includes Items 3-5)
3	7	1936	.75" UNC Deformed Lock Nut
4	1	309994	.75" x 8.00" x 79.50" Cutting Edge
5	7	10061	.75" UNC x 2.25" Plow Bolt, Grade 5
6	4	10012	Hex Capscrew, .75" x 2.25"
7	4	1507	Lock Washer, .75"
8	2	14228	Stop Block
9	2	40502	Major Logo, Medium
10	1	-----	Serial Number Identification Tag Location

M-989 12-27-05

GENERAL PURPOSE BUCKET

1.00 CUBIC YARD x 80" - ASSEMBLY #12749

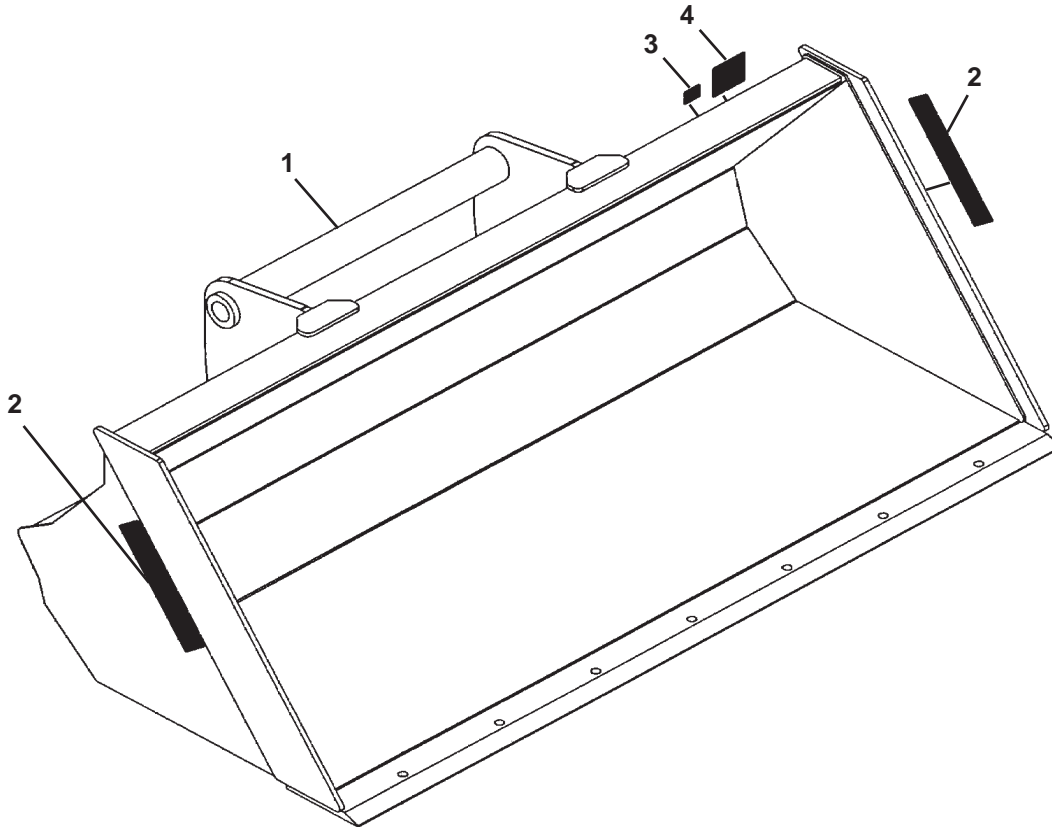
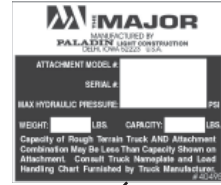


<u>ITEM</u>	<u>QTY.</u>	<u>PART NO.</u>	<u>DESCRIPTION</u>
1	1	102909	Bucket, 1.00 Cubic Yard x 80.00" Wide
2	2	40502	Major Logo, Medium
3	1	4338	Made in the USA Decal
4	1	-----	Serial Number Identification Tag Location
5	1	309995	Bolt-On Cutting Edge Assembly (Includes Items 6-8)
6	7	1936	.75" UNC Deformed Lock Nut
7	1	309994	Cutting Edge .75" x 8.00" x 79.50"
8	7	10061	.75" UNC x 2.25" Plow Bolt

M-1006 11-29-05

GENERAL PURPOSE BUCKET

1.00 CUBIC YARD x 80" - ASSEMBLY #17282

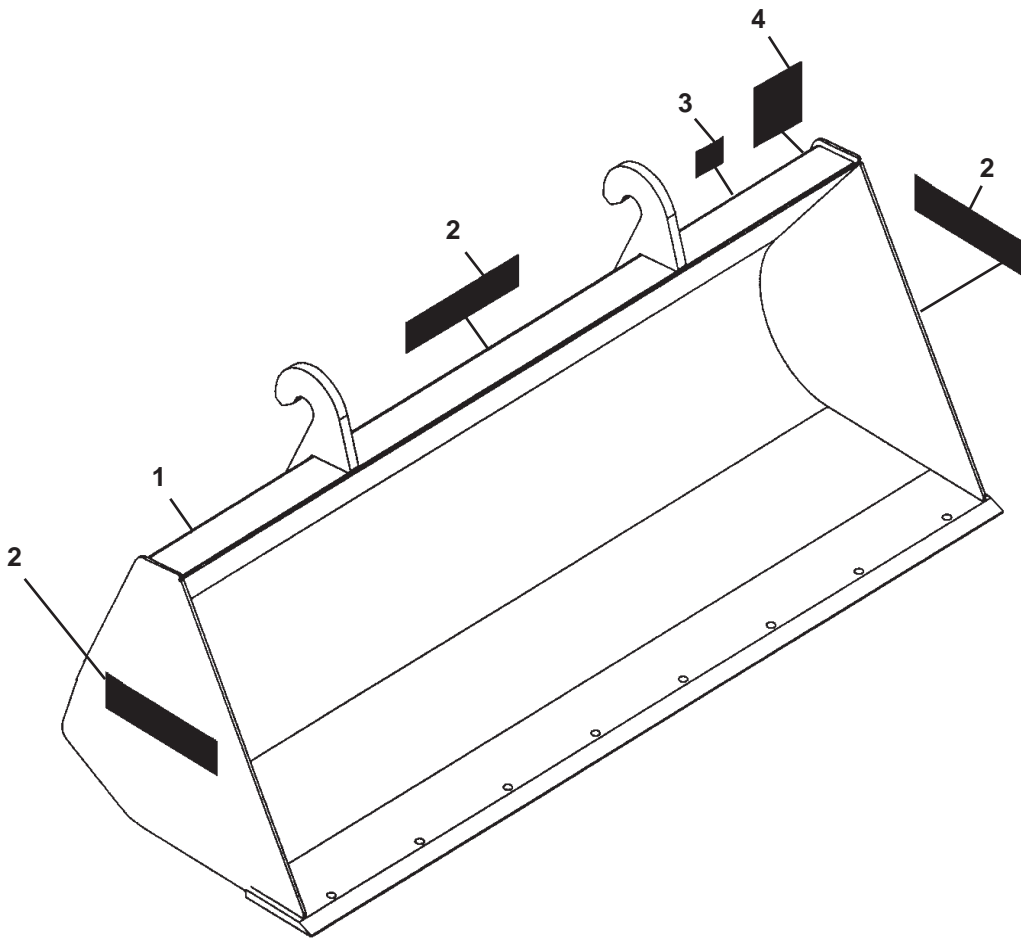
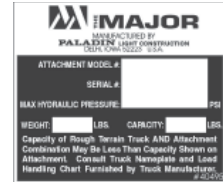


<u>ITEM</u>	<u>QTY.</u>	<u>PART NO.</u>	<u>DESCRIPTION</u>
1	1	309951	Bucket, 1.00 Cubic Yard x 80.00" Wide
2	2	40502	Major Logo, Medium
3	1	4338	Made in the USA Decal
4	1	-----	Serial Number Identification Tag Location

NOTE: Optional cutting edge assembly #309995 is available for this bucket.

GENERAL PURPOSE BUCKET

1.00 CUBIC YARD x 85" - ASSEMBLY #12809



<u>ITEM</u>	<u>QTY.</u>	<u>PART NO.</u>	<u>DESCRIPTION</u>
1	1	104881	Bucket, 1.00 Cubic Yard x 85" Wide
2	3	40502	Major Logo, Medium
3	1	4338	Made in the USA Decal
4	1	----	Serial Number Identification Tag Location

NOTE: Optional cutting edge assembly #12812 is available for this bucket.

GENERAL PURPOSE BUCKET

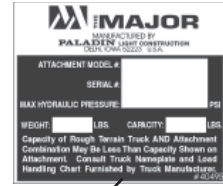
1.10 CUBIC YARD x 96" - ASSEMBLY #12589



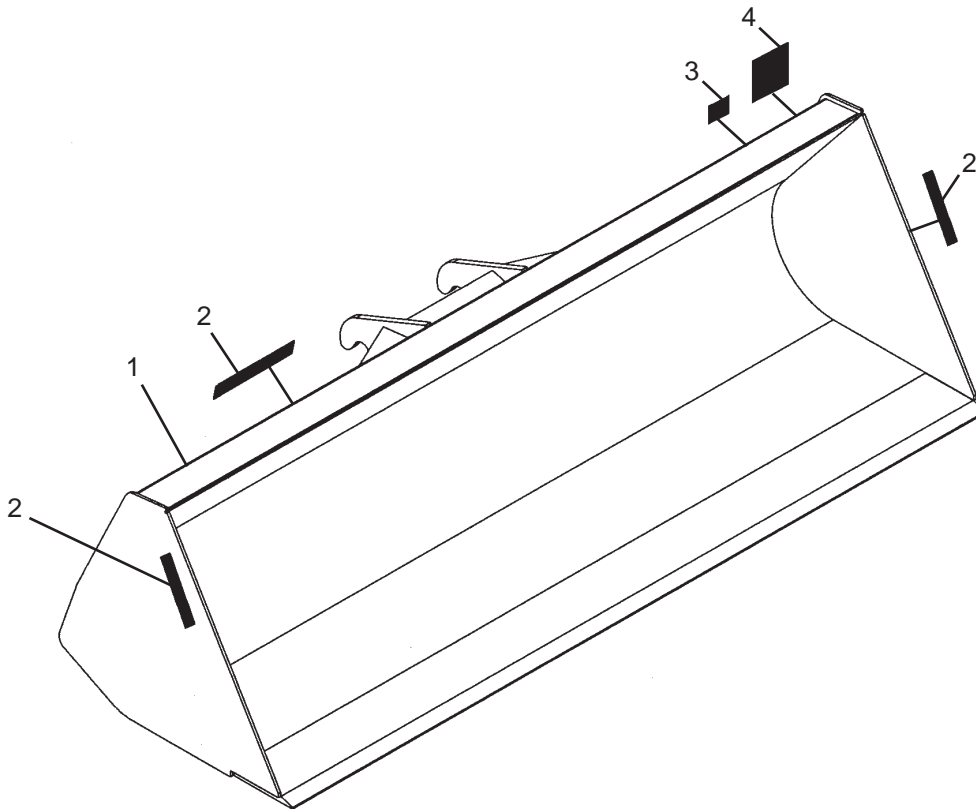
2



3



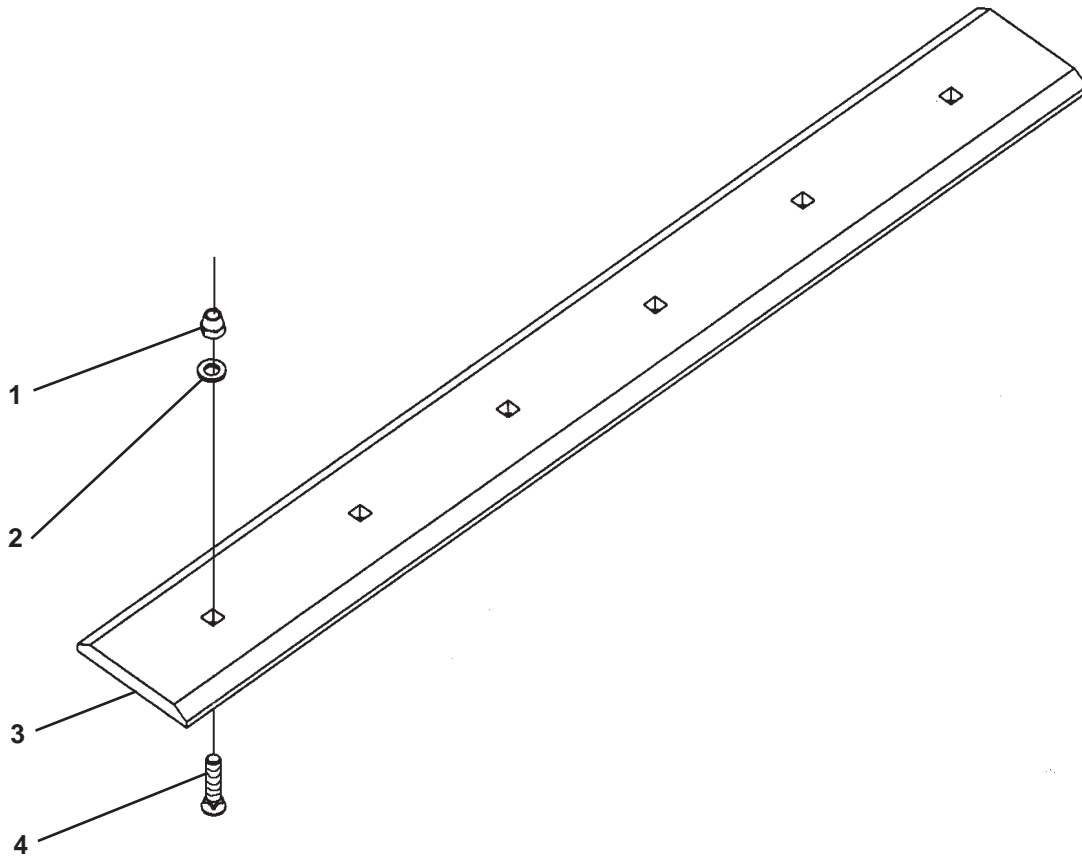
4



<u>ITEM</u>	<u>QTY.</u>	<u>PART NO.</u>	<u>DESCRIPTION</u>
1	1	308079	Bucket, 1.10 Cubic Yard x 96.00" Wide
2	3	40502	Major Logo, Medium
3	1	4338	Made in the USA Decal
4	1	-----	Serial Number Identification Tag Location

NOTE: Optional cutting edge assembly #11002 is available for this bucket.

CUTTING EDGE
66" BOLT-ON ASSEMBLY #18682

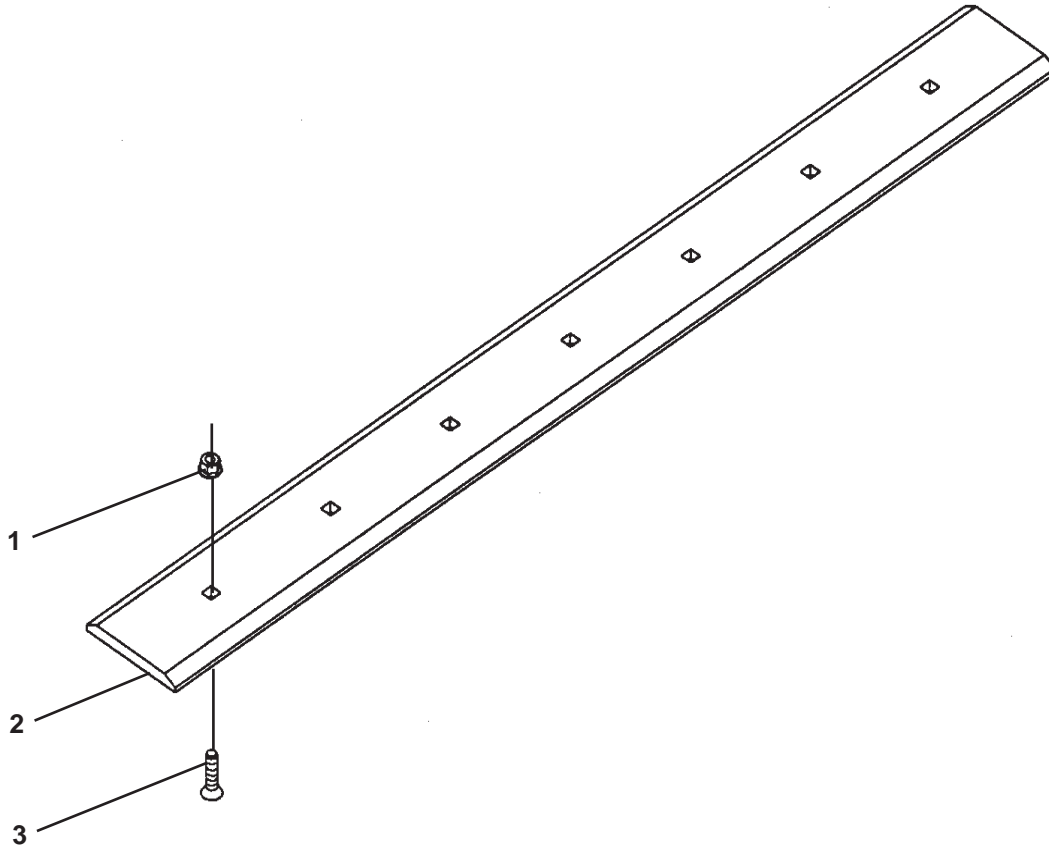


<u>ITEM</u>	<u>QTY.</u>	<u>PART NO.</u>	<u>DESCRIPTION</u>
1	6	1936	.75" UNC Deformed Lock Nut
2	6	1649	.75" Hard Flat Washer
3	1	18683	Cutting Edge, .75" x 8.00" x 66.00"
4	6	1937	.75" UNC x 2.50" Plow Bolt

M-1037 12-22-05

CUTTING EDGE

72" BOLT-ON ASSEMBLY #12504

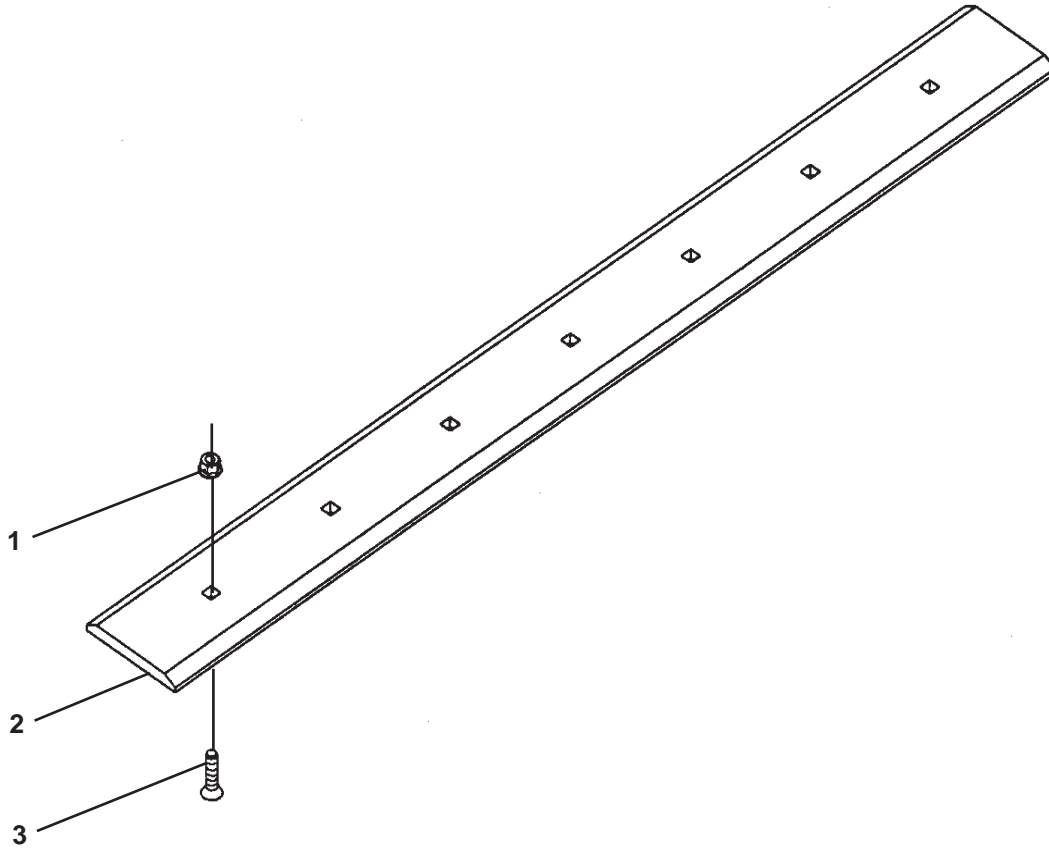


<u>ITEM</u>	<u>QTY.</u>	<u>PART NO.</u>	<u>DESCRIPTION</u>
1	7	1839	.62" UNC Deformed Lock Nut
2	1	11988	Cutting Edge, .62" x 6.00" x 72.00"
3	7	10022	.62" UNC x 2.25" Plow Bolt, Grade 8

M-1160 12-22-05

CUTTING EDGE

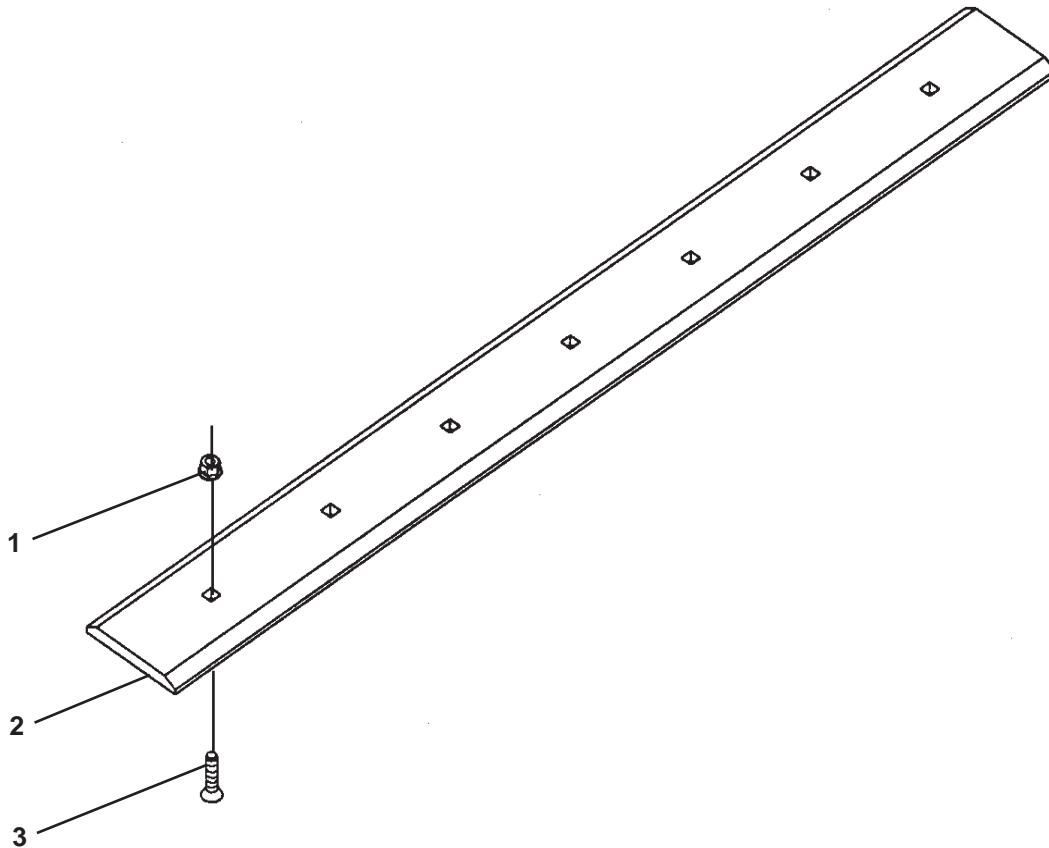
77" BOLT-ON ASSEMBLY #14989



<u>ITEM</u>	<u>QTY.</u>	<u>PART NO.</u>	<u>DESCRIPTION</u>
1	7	1936	.75" UNC Deformed Lock Nut
2	1	14988	Cutting Edge, .75" x 8.00" x 77.00"
3	7	1937	.75" UNC x 2.50" Plow Bolt

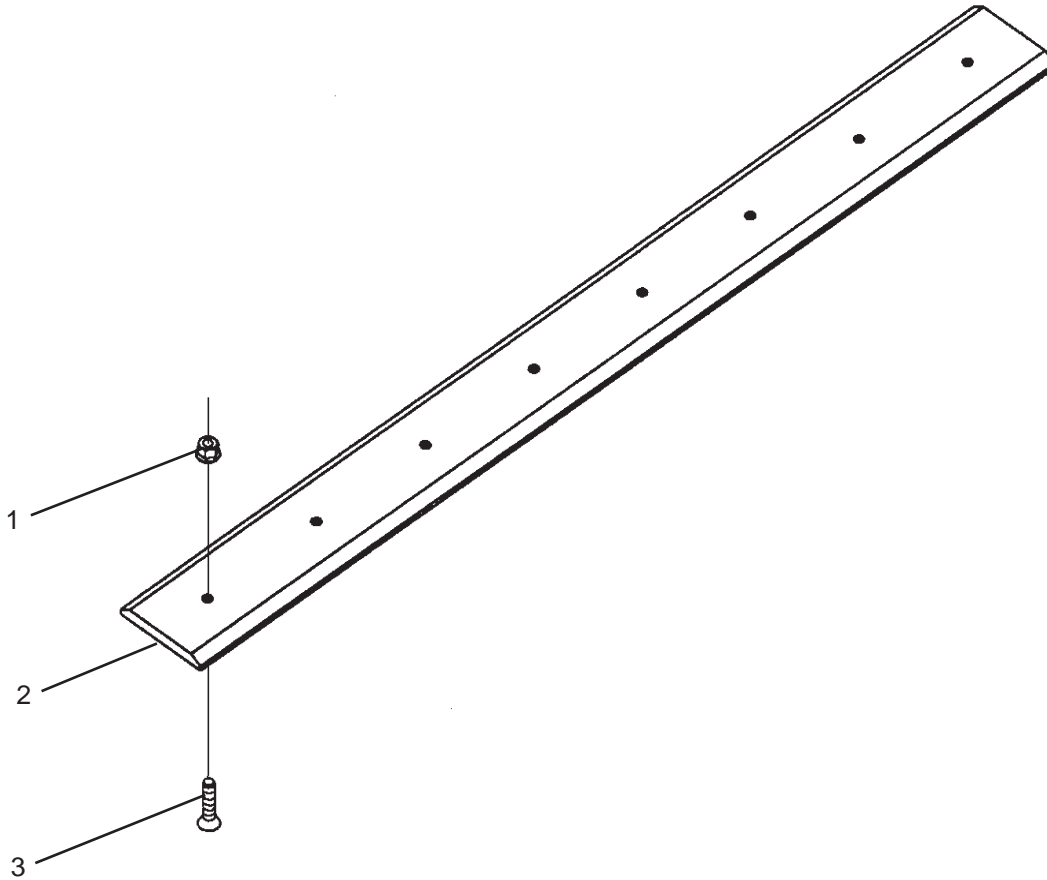
M-1042 12-22-05

CUTTING EDGE
80" BOLT-ON ASSEMBLY #309995



<u>ITEM</u>	<u>QTY.</u>	<u>PART NO.</u>	<u>DESCRIPTION</u>
1	7	1936	.75" UNC Deformed Lock Nut
2	1	309994	Cutting Edge, .75" x 8.00" x 79.50"
3	7	10061	.75" UNC x 2.25" Plow Bolt

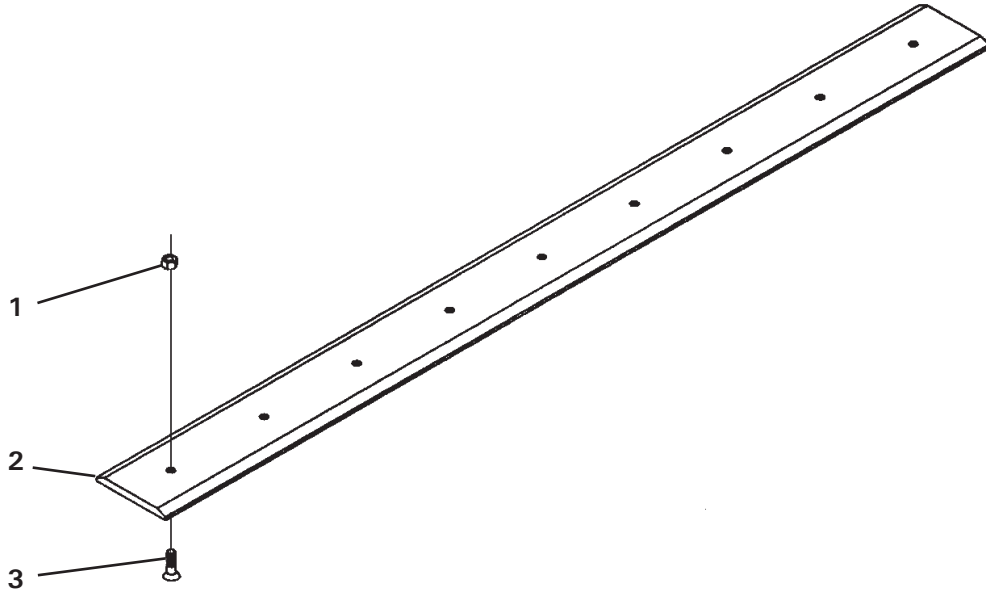
CUTTING EDGE
85" BOLT-ON ASSEMBLY #12812



<u>ITEM</u>	<u>QTY.</u>	<u>PART NO.</u>	<u>DESCRIPTION</u>
1	8	1936	.75" UNC Deformed Lock Nut
2	1	104901	Cutting Edge, .75" x 8.00" x 85.17"
3	8	1937	.75" UNC x 2.50" Plow Bolt

CUTTING EDGE

96" BOLT-ON ASSEMBLY #11002



<u>ITEM</u>	<u>QTY.</u>	<u>PART NO.</u>	<u>DESCRIPTION</u>
1	9	1936	.75" UNC Deformed Lock Nut
2	1	12245	Cutting Edge, .75" x 8.00" x 96.00"
3	9	1937	.75" UNC x 2.50" Plow Bolt

M-1051 12-30-05



**P.O. Box 266
Delhi, IA 52223-0266**

**(563) 922-2981
(800) 922-2981**

www.paladinbrands.com

M-1360 10-4-06